

Installation Instructions

Unitized Washer/Dryer 01

Questions? Call GE Appliances at 800.GE.CARES (800.432.2737) or visit our Web site at: GEAppliances.com
In Canada, call 1.800.561.3344 or visit www.GEAppliances.ca

BEFORE YOU BEGIN

Read these instructions completely and carefully.

IMPORTANT – Save these instructions for local electrical inspector's use.

IMPORTANT – Observe all governing codes and ordinances.

- Install the appliance according to the manufacturer's instructions and local codes.
- **Note to Installer** – Be sure to leave these instructions with the Consumer.
- **Note to Consumer** – Keep these instructions for future reference.
- Appliance installation must be performed by a qualified installer.
- This dryer **must** be exhausted to the outdoors.
- Before the old appliance is removed from service or discarded, remove the washer and dryer doors.
- Do not allow children on or in the appliance. Close supervision of children is necessary when the appliance is used near children.
- Proper installation is the responsibility of the installer.
- Product failure due to improper installation is not covered under the Warranty.
- Install the appliance where the temperature is above 50°F for satisfactory operation of the appliance control system.
- Remove and discard existing plastic or metal foil duct and replace with UL-listed duct.
- Service information and the wiring diagram are located at the access panel.

WARNING - Fire Hazard

- Appliance installation must be performed by a qualified installer.
- Install the appliance according to these instructions and local codes.
- **DO NOT** install a clothes dryer with flexible plastic venting materials. If flexible metal (semi-rigid or foil-type) duct is installed, it must be UL-listed and installed in accordance with the instructions found in "Connecting the Dryer to House Vent" later in this manual. Flexible venting materials are known to collapse, be easily crushed and trap lint. These conditions will obstruct dryer airflow and increase the risk of fire.
- **DO NOT** install or store this appliance in any location where it could be exposed to water or weather.
- To reduce the risk of severe injury or death, follow all installation instructions.
- Save these instructions. (Installers: Be sure to leave these instructions with the customer.)

FOR GAS DRYERS ONLY

In the Commonwealth of Massachusetts, the following installation instructions apply:

- Installation must be performed by a qualified or licensed contractor, plumber, or gasfitter qualified or licensed by the State.
- If using a ball valve, it shall be a T-handle type.
- A flexible gas connector, when used, must not exceed 3 feet.

FOR GAS DRYERS ONLY

State of California Proposition 65 Warnings

 WARNING This product contains one or more chemicals known to the State of California to cause cancer, and birth defects or other reproductive harm.

Gas appliances can cause low-level exposure to some of these substances, including benzene, carbon monoxide, formaldehyde and soot, caused primarily by the incomplete combustion of natural gas or LP fuels. Exposure to these substances can be minimized by properly venting the dryer to the outdoors.

PARTS SUPPLIED



1 Cable Tie

2 Washer Hoses



2 Strainer Screens/
Rubber Washers



NOTE: The Rubber Washers may be in the water hoses



234D2665P001

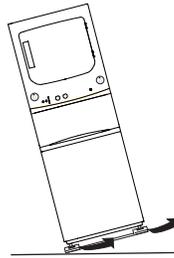
31-16781-1 09-17 GEA

Installation Instructions

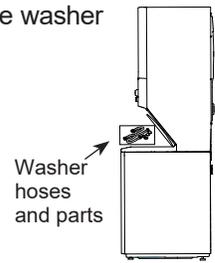
UNPACKING YOUR APPLIANCE

Tilt the appliance sideways and remove the foam shipping pads by pulling at the sides and breaking them away from the appliance legs. Be sure to remove all of the foam pieces around the legs.

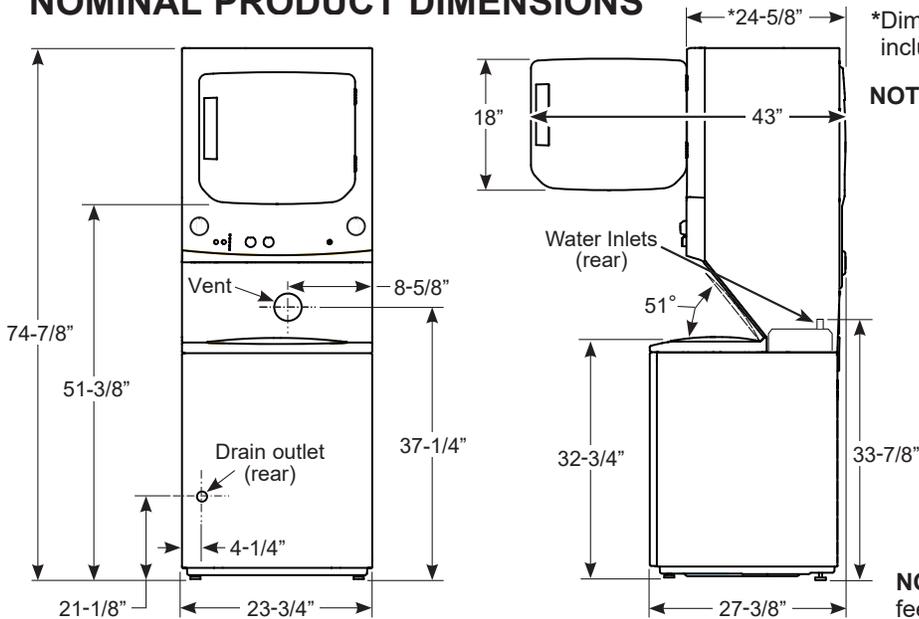
After the machine is in the home, remove remaining packing material/carton from the appliance.



Remove the bag containing the washer hoses and parts from tub.



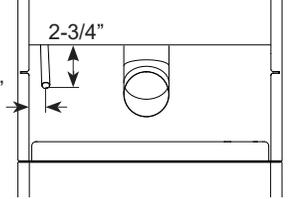
24" NOMINAL PRODUCT DIMENSIONS



*Dimension represents door closed including handle and knobs.

NOTE: All dimensions are within $\pm 1/8"$.

FOR GAS DRYERS ONLY Gas Inlet

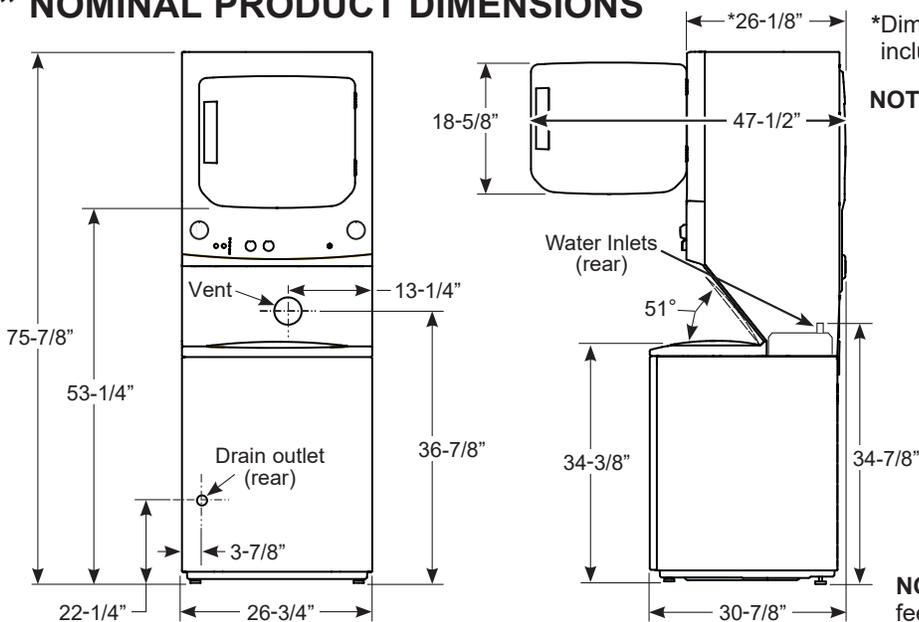


Rear View of Appliance

NOTE: 24" Gas supply connection has a flexible hose thus dimensions will vary.

NOTE: With feet set at mid position, feet can be adjusted $\pm 3/8"$.

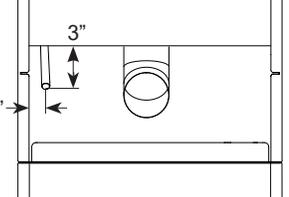
27" NOMINAL PRODUCT DIMENSIONS



*Dimension represents door closed including handle and knobs.

NOTE: All dimensions are within $\pm 1/8"$.

FOR GAS DRYERS ONLY Gas Inlet



Rear View of Appliance

NOTE: With feet set at mid position, feet can be adjusted $\pm 3/8"$.

Installation Instructions

REQUIREMENTS FOR ALCOVE OR CLOSET INSTALLATION

⚠ WARNING - Explosion Hazard

Keep flammable materials and vapors, such as gasoline, away from dryer.

Failure to do so can result in death, explosion, or fire.

- The dryer **MUST** be vented to the outdoors.
- Minimum clearance between dryer cabinet and adjacent walls or other surfaces is:
 - 0" either side
 - 0" rear
 - 1" front
 - 1" top
- Consideration must be given to provide adequate clearance for installation and service.
- Closet doors must be louvered or otherwise ventilated and doors must contain a minimum of:
 - 72 square inches of open area for GUD24 series models
 - 120 square inches of open area for GUD27 and GUV27 series models

NOTE: WHEN THE EXHAUST DUCT IS LOCATED AT THE REAR OF THE DRYER, THE CONFIGURATION OF THE DUCTING MAY REQUIRE GREATER THAN 3" OF REAR CLEARANCE.

Gas Dryers Only:

- No other fuel burning appliance shall be installed in the same closet as a gas dryer.
- The dryer must be disconnected from the gas supply piping during pressure testing at pressures greater than 1/2 psi (3.5 kPa).
- A 1/8 inch NPT minimum plugged tapping, accessible for test gauge connection, must be installed immediately upstream of the gas supply connection to the dryer.

MINIMUM CLEARANCE OTHER THAN ALCOVE OR CLOSET INSTALLATION

Minimum clearance to combustible surfaces and for air opening are: 0" both sides, 0" rear and 1" top. Consideration must be given to provide adequate clearance for installation and service.

INSTALLATION REQUIREMENTS LOCATION

This appliance must be installed on firm flooring to minimize vibration during spin cycle. Concrete flooring is best, but wood base is sufficient, provided floor support meets FHA standards. This appliance should not be installed on rugs.

DO NOT Install the Appliance:

1. In an area exposed to dripping water or outside weather conditions. The ambient temperature should never be below 60°F (15.6°C) for proper operation.
2. In an area where it will come in contact with curtains or drapes.
3. On carpet. The floor **MUST** be a hard surface with a maximum slope of 1/2" per foot (1.27 cm per 30 cm). To make sure the appliance does not vibrate or move, you may have to reinforce the floor.

NOTE: If floor is in poor condition, use 3/4" impregnated plywood sheet solidly attached to existing floor covering.

MOBILE OR MANUFACTURED HOME INSTALLATION

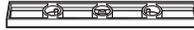
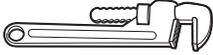
- Installation **MUST** conform to the MANUFACTURED HOME CONSTRUCTION AND SAFETY STANDARD, TITLE 24, PART 3280 or STANDARD FOR MOBILE HOMES CAN/CSA-Z240 MH, or, when such standards are not applicable, with AMERICAN NATIONAL STANDARD FOR MOBILE HOME, ANSI/NFPA NO. 501B.
- The dryer **MUST** be vented to the outdoors.
- The exhaust vent **MUST** be securely fastened to a non-combustible portion of the mobile home.
- The vent **MUST NOT** be terminated beneath a mobile or manufactured home.
- The vent duct material **MUST BE METAL**.
- KIT 14-D346-33 **MUST** be used to attach the dryer securely to the structure.
- The vent **MUST NOT** be connected to any other duct, vent or chimney.
- **DO NOT** use sheet metal screws or other fastening devices which extend into the interior of the exhaust vent.
- Provide an opening with a free area of at least 25 square inches for introduction of outside air into the dryer room.
- See the sections for electrical connection information.

Installation Instructions

CONNECTING A GAS DRYER (skip for electric dryers)

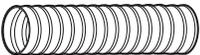
TOOLS YOU WILL NEED

- 10" Adjustable wrenches (2)
- Flat-blade screwdriver
- 8" Pipe wrench
- 1/4" Nutdriver
- Slip-joint pliers
- Level

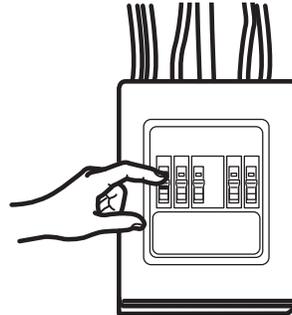


MATERIALS YOU WILL NEED

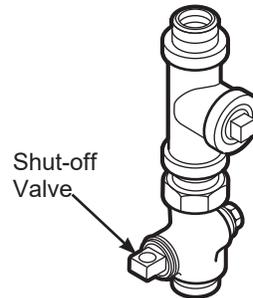
- 4" dia. metal elbow
- Gloves
- Pipe compound or PTFE tape
- Soap solution for leak detection
- Flexible gas line connector
- Exhaust hood
- Duct clamps (2) or Spring clamps (2)
- Duct tape
- Safety glasses
- Gas pipe adapters (2) (for 27" dryers only), elbow (for 27" dryers only) and pipe plug
- 4" dia. metal duct (recommended)
- 4" dia., UL-listed flexible metal duct (if needed)



- Before beginning the installation, turn off the circuit breaker(s) or remove the dryer's circuit fuse(s) at the electrical box. Be sure the dryer cord is unplugged from the wall.



- Turn the dryer's gas shut-off valve in the supply line to the OFF position.



- Disconnect and discard old flexible gas connector and ducting material.



Installation Instructions

GAS REQUIREMENTS

⚠ WARNING - Explosion Hazard

- Use a new CSA International approved flexible gas supply line. Never reuse old flexible connectors.
 - Install an individual manual shut-off valve within 6ft. of the dryer in accordance with the National Fuel Gas Code, ANSI Z223.1/NFPA 54.
 - Securely tighten all gas connections.
 - If connected to LP gas, have a qualified person make sure gas pressure **DOES NOT** exceed 13" water column.
 - Examples of a qualified person include: licensed heating personnel, authorized gas company personnel, and authorized service personnel.
 - Failure to do so can result in death, explosion, or fire.
- The installation must conform with local codes, or in the absence of local codes, with the National Fuel Gas Code, ANSI Z223.1/ NFPA 54, or the Natural Gas and Propane Installation Code, CSA B149.1.

GAS SUPPLY

- A 1/8" National Pipe Taper thread plugged tapping, accessible for test gauge connection, must be installed immediately upstream of the gas supply connection to the dryer. Contact your local gas utility should you have questions on the installation of the plugged tapping.
- Supply line is to be 1/2" rigid pipe and equipped with an accessible shutoff within 6 feet of, and in the same room with, the dryer.
- Use pipe thread compound appropriate for natural or LP gas or use PTFE tape.
- Connect flexible metal connector to dryer and gas supply.

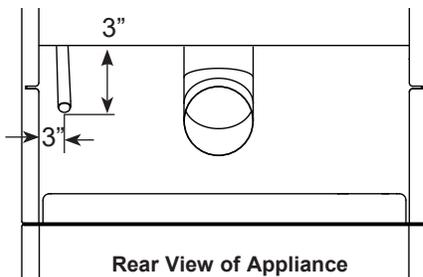
⚠ WARNING - Fire Hazard

FOR USE WITH NATURAL GAS ONLY

Dryer as produced by manufacturer is to be used only with a natural gas supply. A manufacturer-supplied conversion kit is required to convert this dryer for propane gas supply. Use propane gas conversion kit WE25M73 for 24" models or WE25M74 for 27" models. Conversion must be made by properly trained and qualified personnel in accordance with local codes and ordinances.

DRYER GAS SUPPLY CONNECTION

27" GAS SUPPLY CONNECTION



NOTE: 24" Gas supply connection has a flexible hose thus dimensions will vary.

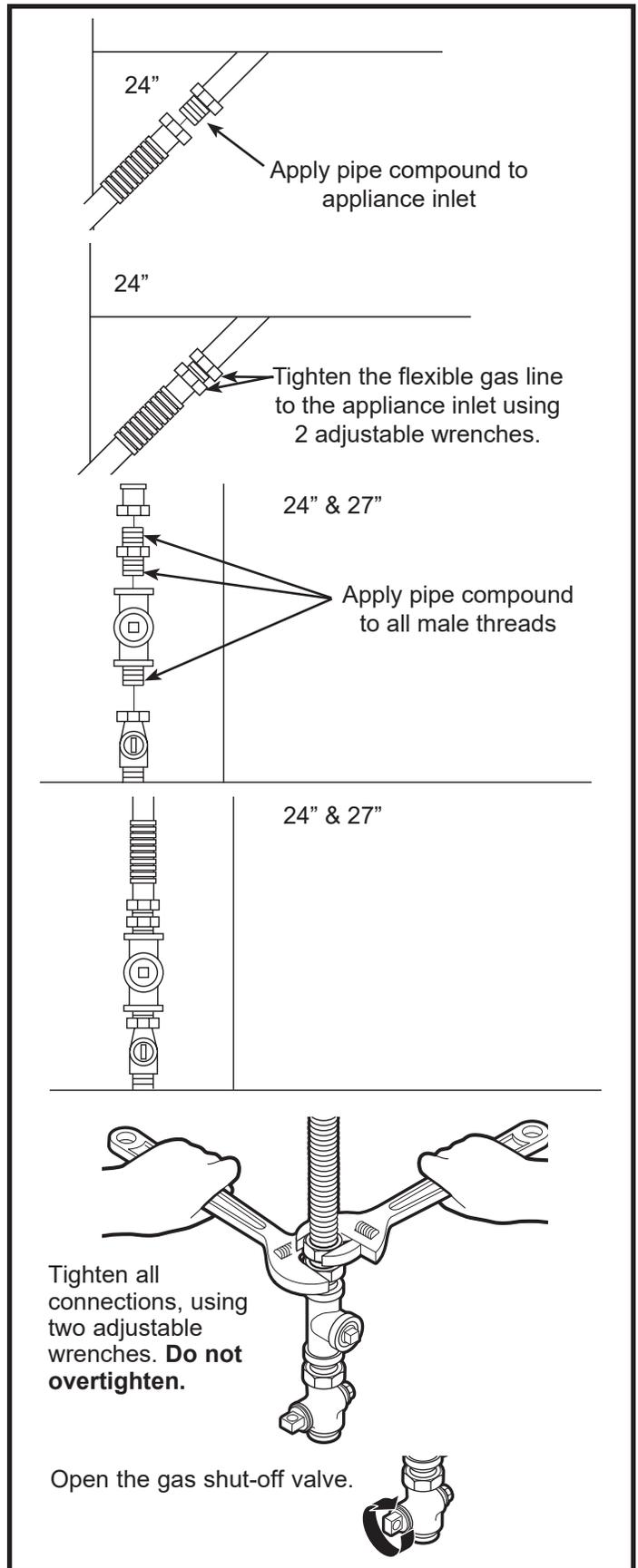
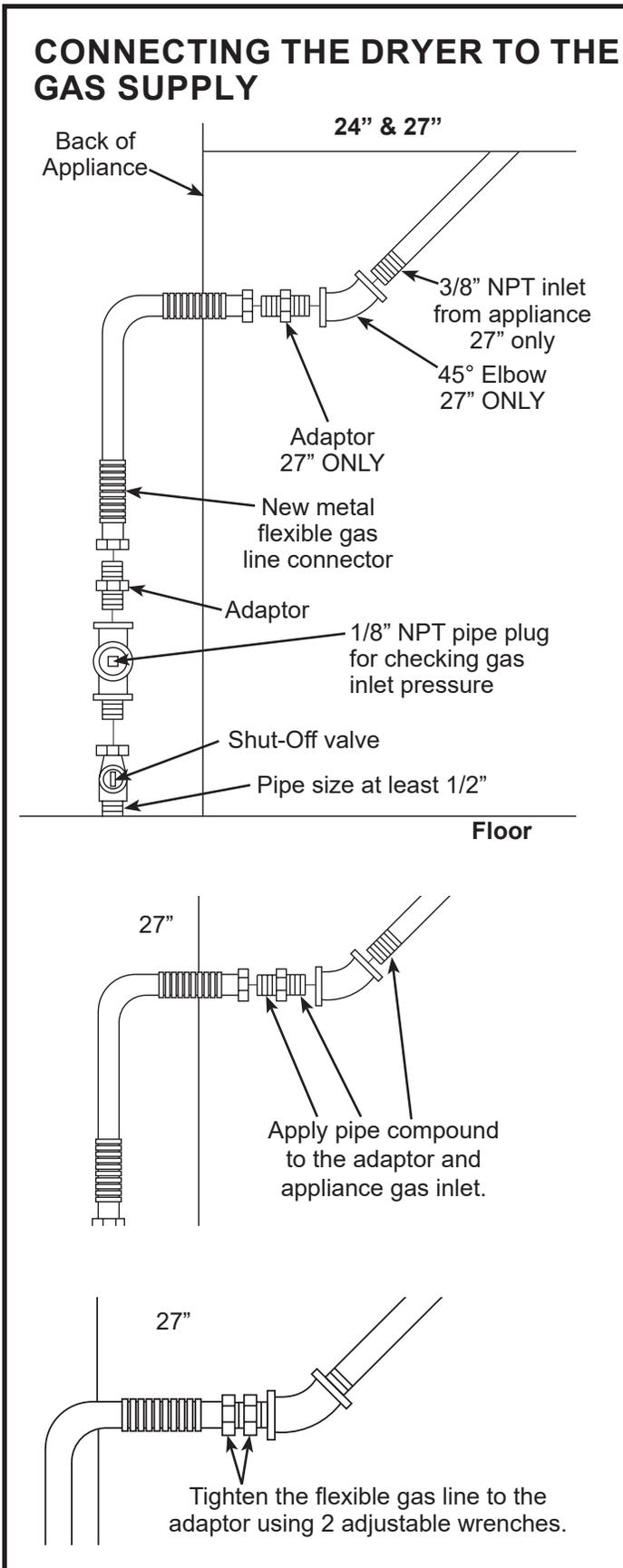
You must use with this dryer a flexible metal connector (listed connector ANSI Z21.24 / CSA 6.10). The length of the connect shall not exceed 3 ft.

ADJUSTING FOR ELEVATION

- Gas clothes dryers input ratings are based on sea level operation and need not be adjusted for operation at or below 2000 ft. elevation. For operation at elevations above 2000 ft., input ratings should be reduced at a rate of 4 percent for each 1000 ft. above sea level.
- Installation must conform to local codes and ordinances or, in their absence, the NATIONAL FUEL GAS CODE, ANSI Z223.

Installation Instructions

CONNECTING A GAS DRYER (cont.)



Installation Instructions

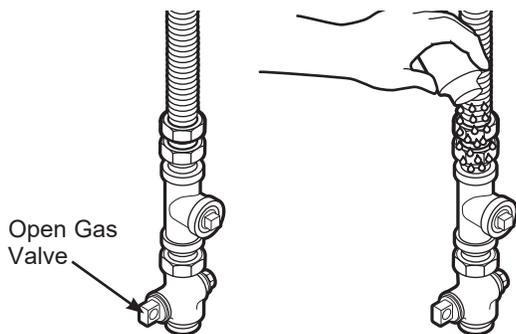
TEST FOR LEAKS

Never use an open flame to test for gas leaks.

Check all connections for leaks with soapy solution or equivalent.

Apply a soap solution. The leak test solution must not contain ammonia, which could cause damage to the brass fittings.

If leaks are found, close the valve, retighten the joint and repeat the soap test.



ELECTRICAL CONNECTION INFORMATION FOR GAS DRYERS

⚠ WARNING - Electrical Shock Hazard

Plug into a grounded 3 prong outlet.

DO NOT remove ground prong.

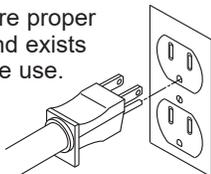
DO NOT use an adapter.

DO NOT use an extension cord.

Failure to do so can result in death, fire or electrical shock.

- Circuit – Individual properly polarized and grounded 15 or 20 amp circuit breaker or time-delay fuse.
- Power Supply – 2-wire plus ground, 120 Volt, single phase, 60 Hz, alternating current.
- Outlet Receptacle – Properly grounded 3-prong receptacle to be located so the power cord is accessible when the dryer is in an installed position. If a 2-prong receptacle is present, it is the owner's responsibility to have a licensed electrician replace it with a properly grounded 3-prong grounding type receptacle.

Ensure proper ground exists before use.



ELECTRICAL CONNECTION INFORMATION FOR GAS DRYERS (cont.)

- Appliance must be electrically grounded in accordance with local codes and ordinances, or in the absence of local codes, with the latest edition of the NATIONAL ELECTRICAL CODE, ANSI/NFPA NO. 70 or CANADIAN ELECTRICAL CODE, CSA C22.1. Check with a licensed electrician if you are not sure that the dryer is properly grounded.

GROUNDING INSTRUCTIONS

This appliance must be grounded. In the event of a malfunction or breakdown, grounding will reduce the risk of electric shock by providing a path of least resistance for electric current. This appliance uses a cord having an equipment-grounding conductor and a grounding plug. The plug must be plugged into an appropriate outlet that is properly installed and grounded in accordance with all local codes and ordinances.

⚠ WARNING Improper connection of the equipment-grounding conductor can result in a risk of electric shock. Check with a qualified electrician, or service representative or personnel, if you are in doubt as to whether the appliance is properly grounded. **DO NOT** modify the plug on the power supply cord. If it will not fit the outlet, have a proper outlet installed by a qualified electrician.

SAVE THESE INSTRUCTIONS

Installation Instructions

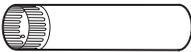
CONNECTING AN ELECTRIC DRYER

(Skip for gas dryers and if your dryer already has a power cord attached)

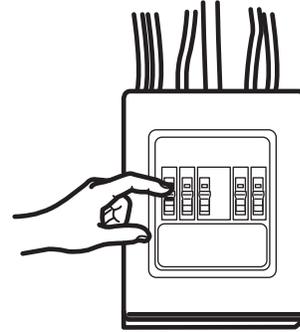
TOOLS YOU WILL NEED

- Slip-joint pliers 
- Flat-blade screwdriver 
- Phillips screwdriver 
- 1/4" Nutdriver 
- Level 

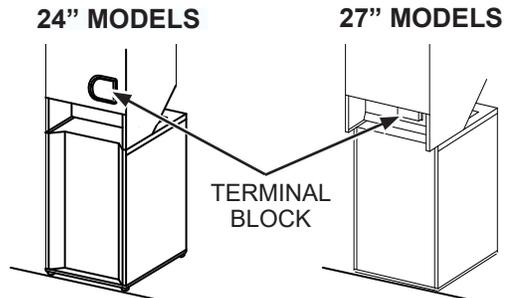
MATERIALS YOU WILL NEED

- 4" dia. metal elbow 
- 3/4" Strain relief (UL recognized) 
- 4" Duct clamps (2) or 4" spring clamps (2) 
- Safety glasses 
- 4" dia. metal duct (recommended) 
- 4" dia., UL-listed flexible metal duct (if needed) 
- Gloves 
- Exhaust hood 
- Duct tape 
- Appliance power cord kit (not provided with appliance)
UL rated 120/240V, 30A with 3 or 4 prongs. Identify the plug type as per the house receptacle before purchasing line cord. 

Before making the electrical connection, turn off the circuit breaker(s) or remove the dryer's circuit fuse(s) at the electrical box. Be sure the dryer cord is unplugged from the wall. **NEVER LEAVE THE ACCESS COVER OFF THE TERMINAL BLOCK.**



ELECTRICAL CONNECTION LOCATION



POWER CORDS

GE Appliances strongly recommends the use of factory specified parts. Select the power cord to fit your installation requirements.

Order on-line at GEApplianceParts.com, 24 hours a day or by phone at **877.959.8688** during normal business hours.

Part Number	Type	Length	Amperage
WX9X2	3-Prong	4 Feet	30
WX9X3	3-Prong	5 Feet	30
WX9X4	3-Prong	6 Feet	30
WX9X18	4-Prong	4 Feet	30
WX9X19	4-Prong	5 Feet	30
WX9X20	4-Prong	6 Feet	30

Installation Instructions

ELECTRICAL CONNECTION INFORMATION FOR ELECTRIC DRYERS

For electrical connections using a power cord:

WARNING - Fire Hazard

Use a new UL-listed 240V 30 amp dryer power supply cord with closed ring terminals or spade terminals with upturned ends.

Use a UL-listed strain relief.

Disconnect power before making electrical connections.

Connect neutral wire (white or center wire) to center terminal.

Ground wire (green or bare wire) must be connected to green ground connector.

Connect remaining two supply wires to remaining two terminals.

Securely tighten all electrical connections.

Replace the terminal block cover.

Failure to do so can result in death, fire or electrical shock.

GROUNDING INSTRUCTIONS

For a grounded, cord-connected dryer: This appliance must be grounded. In the event of a malfunction or breakdown, grounding will reduce the risk of electric shock by providing a path of least resistance for electric current. This appliance uses a cord having an equipment-grounding conductor and a grounding plug.

The plug must be plugged into an appropriate outlet that is properly installed and grounded in accordance with all local codes and ordinances.

WARNING Improper connection of the equipment-grounding conductor can result in a risk of electric shock. Check with a qualified electrician, or service representative or personnel, if you are in doubt as to whether the appliance is properly grounded. **DO NOT** modify the plug on the power supply cord. If it will not fit the outlet, have a proper outlet installed by a qualified electrician.

SAVE THESE INSTRUCTIONS

ELECTRICAL CONNECTION INFORMATION FOR ELECTRIC DRYERS

For direct wire connections:

WARNING - Fire Hazard

Use 10 gauge solid copper wire.

Use a UL-listed strain relief.

Disconnect power before making electrical connections.

Connect neutral wire (white or center wire) to center terminal.

Ground wire (green or bare wire) must be connected to green ground connector.

Connect remaining two supply wires to remaining two terminals.

Securely tighten all electrical connections.

Replace the terminal block cover.

Failure to do so can result in death, fire or electrical shock.

GROUNDING INSTRUCTIONS

For a permanently connected dryer: This appliance must be connected to a grounded metal, permanent wiring system, or an equipment-grounding conductor must be run with the circuit conductors and connected to the equipment-grounding terminal on the appliance.

WARNING Improper connection of the equipment-grounding conductor can result in a risk of electric shock. Check with a qualified electrician, or service representative or personnel, if you are in doubt as to whether the appliance is properly grounded.

SAVE THESE INSTRUCTIONS

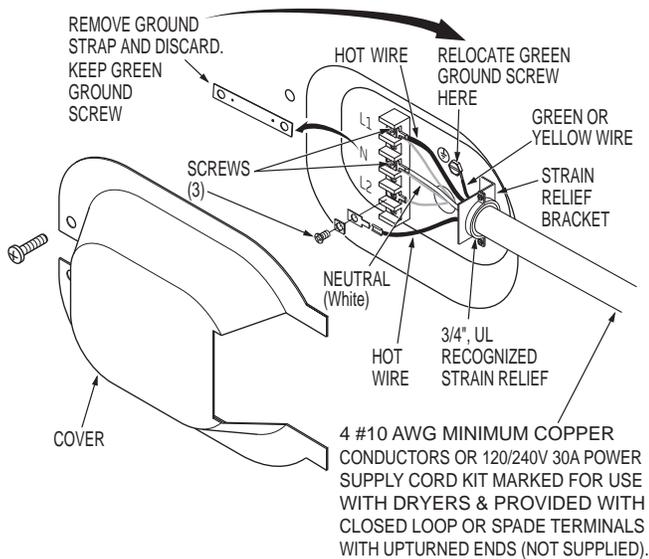
Installation Instructions

24" MODELS - CONNECTING AN ELECTRIC DRYER

CONNECTING DRYER USING 4-WIRE CONNECTION (MUST BE USED FOR MOBILE HOME INSTALLATION)

NOTE: Since January 1, 1996, the National Electrical Code requires that new constructions use a 4-wire connection to an electric dryer. A 4-wire cord must also be used where local codes do not permit grounding through the neutral.

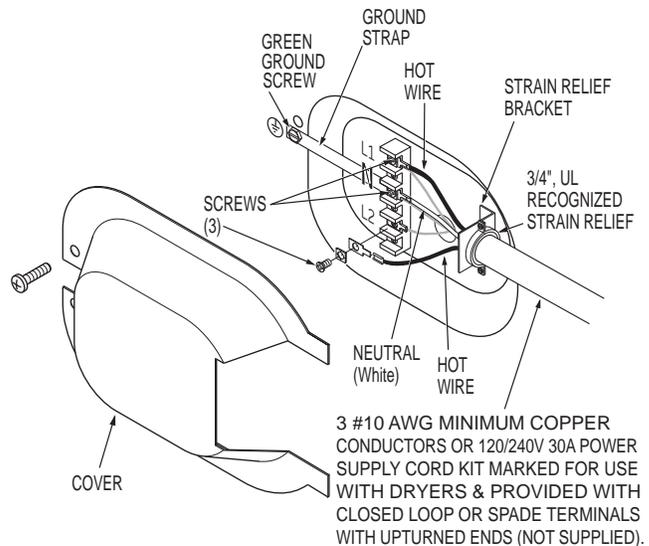
3-wire connection is NOT for use on new construction.



1. Turn off the circuit breaker(s) (30 amp) or remove the dryer's circuit fuse at the electrical box.
2. Be sure the dryer cord is unplugged from the wall receptacle.
3. Remove the power cord cover located at the lower back.
4. Remove and discard ground strap. Keep the green ground screw for Step 7.
5. Install 3/4 in. UL-recognized strain relief to power cord entry hole. Bring power cord through strain relief.
6. Connect power cord as follows:
 - A. Connect the 2 hot lines to the outer screws of the terminal block (marked L1 and L2).
 - B. Connect the neutral (white) line to the center of the terminal block (marked N).
7. Attach ground wire of power cord with the green ground screw (hole above strain relief bracket). Tighten all terminal block screws (3) securely.
8. Properly secure power cord to strain relief.
9. Reinstall the cover.

NEVER LEAVE THE COVER OFF OF THE TERMINAL BLOCK.

CONNECTING DRYER USING 3-WIRE CONNECTION



3-wire Connection

NOT for use in Canada.

DO NOT use for Mobile Home Installations.

NOT for use on new construction.

NOT for use on recreational vehicles.

NOT for use in areas where local codes prohibit grounding through the neutral conduction.

1. Turn off the circuit breaker(s) (30 amp) or remove the dryer's circuit fuse at the electrical box.
2. Be sure the dryer cord is unplugged from the wall receptacle.
3. Remove the power cord cover located at the lower back.
4. Install 3/4-in. UL-recognized strain relief to power cord entry hole. Bring power cord through strain relief.
5. Connect power cord as follows:
 - A. Connect the 2 hot lines to the outer screws of the terminal block (marked L1 and L2).
 - B. Connect the neutral (white) line to the center of the terminal block (marked N).
6. Be sure ground strap is connected to neutral (center) terminal of block and to green ground screw on cabinet rear. Tighten all terminal block screws (3) securely.
7. Properly secure power cord to strain relief.
8. Reinstall the cover.

NEVER LEAVE THE COVER OFF OF THE TERMINAL BLOCK.

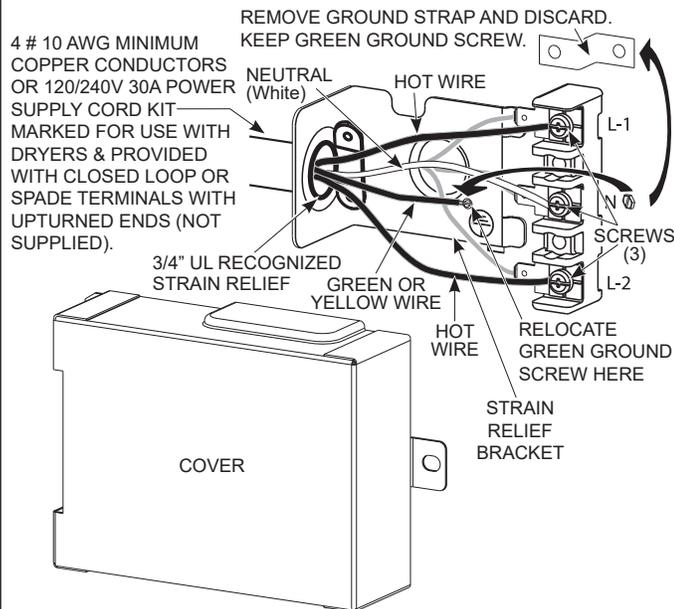
Installation Instructions

27" MODELS - CONNECTING AN ELECTRIC DRYER

CONNECTING DRYER USING 4-WIRE CONNECTION (MUST BE USED FOR MOBILE HOME INSTALLATION)

NOTE: Since January 1, 1996, the National Electrical Code requires that new constructions use a 4-wire connection to an electric dryer. A 4-wire cord must also be used where local codes do not permit grounding through the neutral.

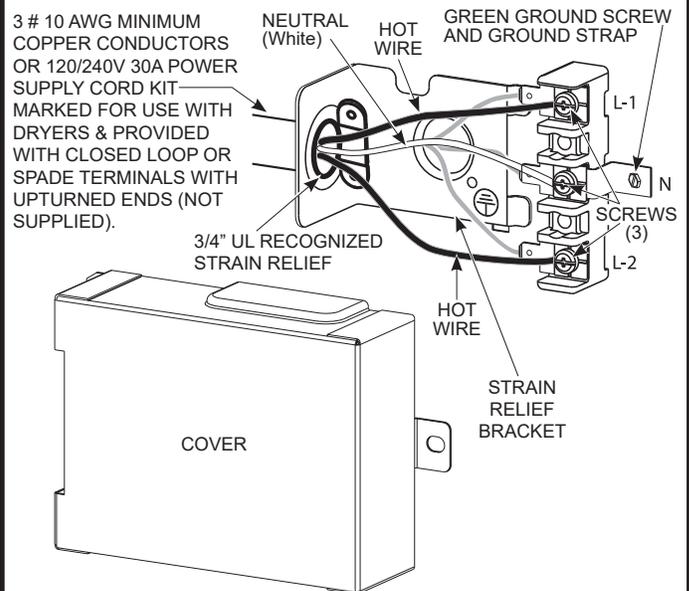
3-wire connection is NOT for use on new construction.



1. Turn off the circuit breaker(s) (30 amp) or remove the dryer's circuit fuse at the electrical box.
2. Be sure the dryer cord is unplugged from the wall receptacle.
3. Remove the power cord cover located on the back.
4. Remove and discard ground strap. Keep the green ground screw for Step 7.
5. Install 3/4 in. UL-recognized strain relief to power cord entry hole. Bring power cord through strain relief.
6. Connect power cord as follows:
 - A. Connect the 2 hot lines to the outer screws of the terminal block (marked L1 and L2).
 - B. Connect the neutral (white) line to the center of the terminal block (marked N).
7. Attach ground wire of power cord with the green ground screw (hole below strain relief bracket). Tighten all terminal block screws (3) securely.
8. Properly secure power cord to strain relief.
9. Reinstall the cover.

NEVER LEAVE THE COVER OFF OF THE TERMINAL BLOCK.

CONNECTING DRYER USING 3-WIRE CONNECTION



3-wire Connection

NOT for use in Canada.

DO NOT use for Mobile Home Installations.

NOT for use on new construction.

NOT for use on recreational vehicles.

NOT for use in areas where local codes prohibit grounding through the neutral conduction.

1. Turn off the circuit breaker(s) (30 amp) or remove the dryer's circuit fuse at the electrical box.
2. Be sure the dryer cord is unplugged from the wall receptacle.
3. Remove the power cord cover located on the back.
4. Install 3/4-in. UL-recognized strain relief to power cord entry hole. Bring power cord through strain relief.
5. Connect power cord as follows:
 - A. Connect the 2 hot lines to the outer screws of the terminal block (marked L1 and L2).
 - B. Connect the neutral (white) line to the center of the terminal block (marked N).
6. Be sure ground strap is connected to neutral (center) terminal of block and to green ground screw on cabinet rear. Tighten all terminal block screws (3) securely.
7. Properly secure power cord to strain relief.
8. Reinstall the cover.

NEVER LEAVE THE COVER OFF OF THE TERMINAL BLOCK.

Installation Instructions

EXHAUSTING THE DRYER

⚠ WARNING - Fire Hazard

This dryer **MUST** be vented to the outdoors. Use only 4" rigid metal ducting for the home exhaust duct.

Use only 4" rigid metal or UL-listed dryer transition duct to connect the dryer to the home exhaust.

DO NOT use a plastic vent.

DO NOT exhaust into a chimney, kitchen exhaust, gas vent, wall, ceiling, attic, crawl space, or concealed space of a building.

DO NOT install a screen in or over the exhaust duct.

DO NOT install a booster fan in the exhaust duct.

DO NOT use duct longer than specified in the exhaust length table.

Failure to follow these instructions can result in death or fire.

TOOLS AND MATERIALS YOU WILL NEED TO INSTALL EXHAUST DUCT

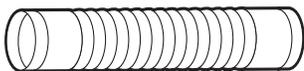
- Phillips-head screwdriver



- Duct tape or duct clamp



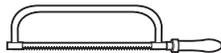
- Rigid or UL-listed flexible metal 4" (10.2 cm) duct



- Drill with 1/8" drill bit (for bottom venting)



- Hacksaw



- Vent hood



PARTS AVAILABLE FROM GEAPPLIANCES.COM OR LOCAL SERVICE ORGANIZATIONS

- PM8X85** Outdoor exhaust hood
- PM08X10085** 8' Flexible metal clothes dryer transition duct with 2 clamps
- WX08X10130** 4" Dryer exhaust clamp
- WE49X22606** Rear exhaust opening cover, for side or bottom vented dryers

CONNECTING THE DRYER TO HOUSE VENT

RIGID METAL TRANSITION DUCT

- For best drying performance, a rigid metal transition duct is recommended.
- Rigid metal transition ducts reduce the risk of crushing and kinking.

UL-LISTED FLEXIBLE METAL CLOTHES DRYER TRANSITION DUCT

- If rigid metal cannot be used, then UL-listed flexible metal clothes dryer transition duct (GE Appliances part – PM08X10085) can be used.
- Never install transition duct in walls, ceilings, floors or other enclosed spaces.
- Total length of transition duct should not exceed 8' (2.4 m).
- For many applications, installing elbows at both the dryer and the wall is highly recommended (see illustrations in next section). Elbows allow the dryer to sit close to the wall without kinking and/or crushing the transition duct, maximizing drying performance.
- Avoid resting the duct on sharp objects.

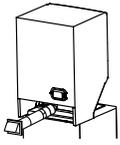
UL-LISTED FLEXIBLE METAL (FOIL-TYPE) TRANSITION DUCT

- In special installations, it may be necessary to connect the dryer to the home exhaust vent using flexible metal (foil-type) transition duct. UL-LISTED universal flexible dryer transition duct (GE Appliances parts – PM8X73 or WX8X73) may be used **ONLY** in installations where rigid metal or flexible metal transition ducting cannot be used **AND** where a 4" diameter can be maintained throughout the entire length of the transition duct.
- In Canada and the United States, only transition ducts that comply with "**UL 2158A STANDARD FOR CLOTHES DRYER TRANSITION DUCT**" shall be used.
- Avoid resting the duct on sharp objects.
- For best drying performance:

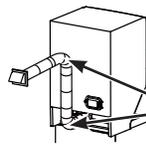
1. Slide one end of the duct over the clothes dryer outlet pipe.
2. Secure the duct with a clamp.
3. With the dryer in its permanent position, extend the duct to its full length. Allow 2" of duct to overlap the exhaust pipe. Cut off and remove excess duct. Keep the duct as straight as possible for maximum airflow.
4. Secure the duct to the exhaust pipe with the other clamp.

Installation Instructions

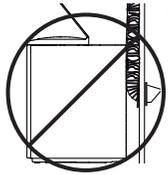
EXHAUSTING THE DRYER (cont.)



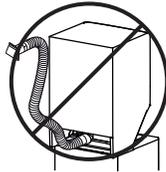
- **DO** cut duct as short as possible and install straight into wall.



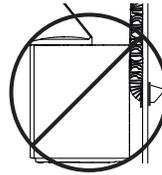
- **DO** use elbows when turns are necessary.



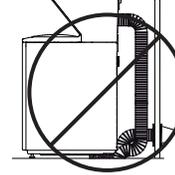
- **DO NOT** bend or collapse ducting. Use elbows if turns are necessary.



- **DO NOT** use excessive exhaust length. Cut duct as short as possible.



- **DO NOT** crush duct against the wall.



- **DO NOT** set appliance on duct.

EXHAUST LENGTH

Using exhaust longer than specified length will:

- Increase the drying times and the energy cost.
- Reduce the dryer life.
- Accumulate lint, creating a potential fire hazard.

The correct exhaust installation is **YOUR RESPONSIBILITY.**

Problems due to incorrect installation are not covered by the warranty.

The **MAXIMUM ALLOWABLE** length of the exhaust system depends upon the type of duct, number of turns, the type of exhaust hood (wall cap) and all conditions noted on the chart.

- Internal elbows added for side or bottom vent conversions must be included in the total elbow count.
- Any elbow greater than 45° should be treated as a 90° elbow; one elbow of 45° or less may be ignored.
- Two 45° elbows will be treated like one 90° elbow. For the side exhaust installations, add one 90° elbow to the chart.
- For every additional 90° elbow, reduce the allowable vent system length by 10 feet.
- When calculating the total vent system length, you must add all the straight portions and elbows of the system (including the transition duct).

EXHAUST LENGTH 27" NORMAL VENT MODELS

	RECOMMENDED MAXIMUM LENGTH	
	Exhaust Hood Types	
	Recommended	Use only for short run installations
No. of 90° Elbows	Rigid Metal	Rigid Metal
0	56 Feet	42 Feet
1	48 Feet	34 Feet
2	40 Feet	26 Feet
3	32 Feet	18 Feet

EXHAUST LENGTH 27" LONG VENT MODELS

	RECOMMENDED MAXIMUM LENGTH	
	Exhaust Hood Types	
	Recommended	Use only for short run installations
No. of 90° Elbows	Rigid Metal	Rigid Metal
0	200 Feet	175 Feet
1	185 Feet	165 Feet
2	175 Feet	155 Feet
3	165 Feet	145 Feet
4	155 Feet	135 Feet
5	145 Feet	125 Feet

EXHAUST LENGTH 24" NORMAL VENT MODELS

	RECOMMENDED MAXIMUM LENGTH	
	Exhaust Hood Types	
	Recommended	Use only for short run installations
No. of 90° Elbows	Rigid Metal	Rigid Metal
0	43 Feet	36 Feet
1	33 Feet	26 Feet
2	24 Feet	16 Feet

Installation Instructions

EXHAUSTING THE DRYER (cont.)

EXHAUST SYSTEM CHECKLIST

HOOD OR WALL CAP

- Terminate in a manner to prevent back drafts or entry of birds or other wildlife.
- Termination should present minimal resistance to the exhaust airflow and should require little or no maintenance to prevent clogging.
- Wall caps must be installed at least 12" above ground level or any other obstruction with the opening pointed down.

SEPARATION OF TURNS

- For best performance, separate all turns by at least 4 ft. of straight duct, including distance between last turn and dampened exhaust hood (wall cap).

SEALING OF JOINTS

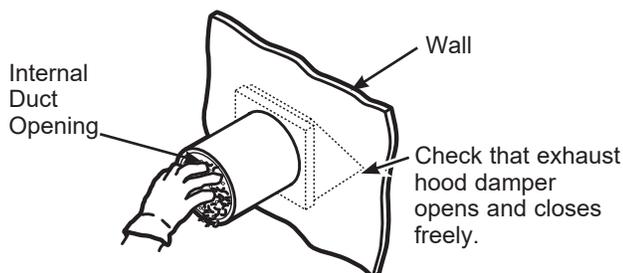
- All joints should be tight to avoid leaks. The male end of each section of duct must point away from the dryer.
- Duct joints should be made air- and moisture-tight by wrapping the overlapped joints with duct tape or aluminum tape.
- Do not assemble ductwork with any fasteners that extend into the duct. These fasteners can accumulate lint, creating a potential fire hazard.
- Horizontal runs should slope down towards the outdoors 1/4" per foot.
- Provide an access for inspection and cleaning of the exhaust system, especially at turns and joints. Exhaust system shall be inspected and cleaned at least once a year.

INSULATION

- Ductwork that runs through an unheated area or is near air conditioning should be insulated to reduce condensation and lint build-up.

BEFORE YOU BEGIN

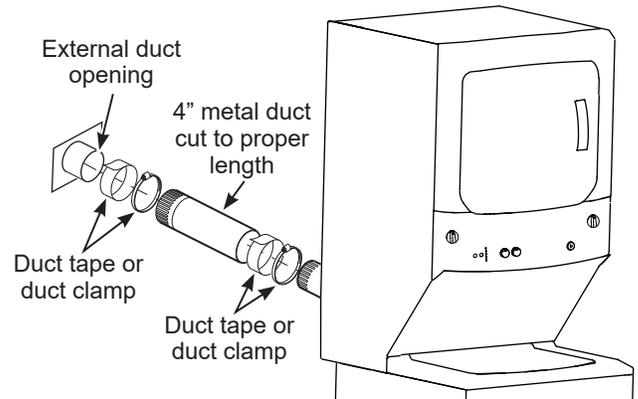
- Remove and discard existing plastic or metal foil duct and replace with UL-listed duct.
- Remove any lint from the wall exhaust opening.



STANDARD REAR EXHAUST

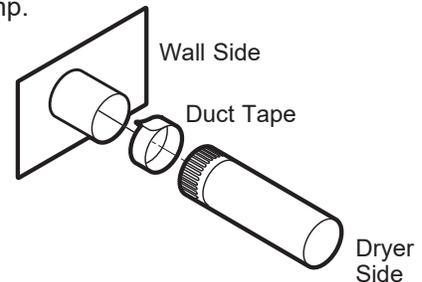
This dryer comes ready for rear exhausting. If space is limited, use the instructions to exhaust directly from the sides or bottom of the cabinet.

Slide the end of the exhaust duct on the back of the dryer and secure with duct tape or a hose clamp.



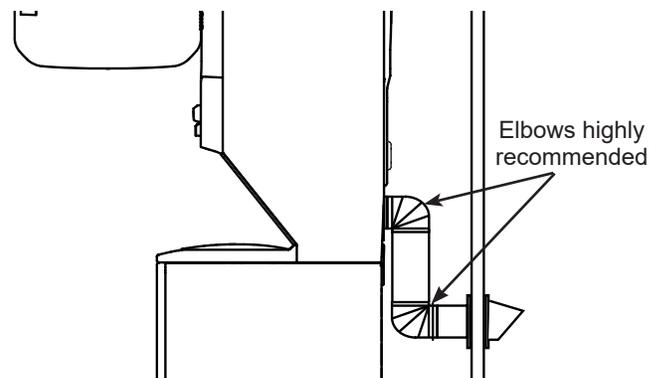
NOTE: We strongly recommend using rigid metal exhaust duct. However, if flexible ducting is used it must be UL-Listed metal, not plastic.

- For straight line installation, connect the dryer exhaust to the external exhaust hood using duct tape or clamp.



RECOMMENDED CONFIGURATION TO MINIMIZE EXHAUST BLOCKAGE

Using duct elbows will prevent duct kinking and collapsing.



Installation Instructions

24" MODELS ONLY BOTTOM OR SIDE VENTING

⚠ WARNING - Fire Hazard

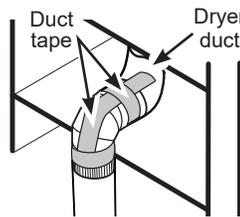
Disconnect dryer from electrical supply.

Wear gloves and arm guards.

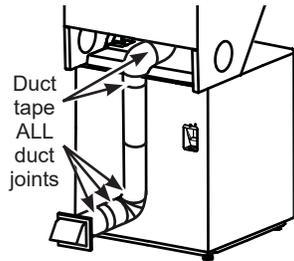
Failure to do so may result in fire, electrical shock or lacerations.

For Downward Venting:

- Insert elbow, rotate it so that it points downward and connect it to the dryer's internal duct. Use only 4" UL approved rigid metal for ducting inside the dryer.



- Apply duct tape as shown on the joint between the dryer internal duct and the elbow, and also the joint between the elbow and the bottom duct.

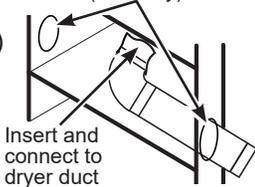


Internal duct joints must be secured with tape, otherwise they may separate and cause a safety hazard.

For Side Venting:

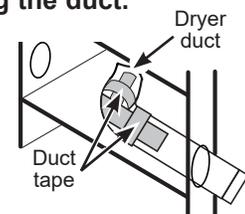
- Detach and remove the right or left side knockout (one only) as desired.
- Rotate elbow sections so that the opening points to the side to which you want to vent.
- Preassemble 4" elbow with 4" duct. Use only 4" UL approved rigid metal for ducting inside the dryer.
- Insert duct assembly through the side opening and connect to the internal dryer elbow duct.

Remove Desired Knockout (one only)

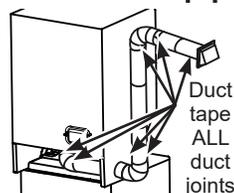


Be sure not to pull or damage the electrical wires inside the dryer when inserting the duct.

- Apply duct tape as shown on the joint between the dryer internal duct and the elbow, and also the joint between the elbow and the side duct.



Internal duct joints must be secured with tape, otherwise they may separate and cause a safety hazard.



27" MODELS ONLY BOTTOM OR SIDE VENTING

⚠ WARNING - Fire Hazard

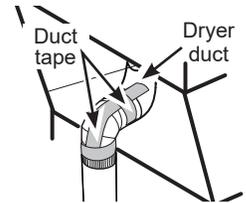
Disconnect dryer from electrical supply.

Wear gloves and arm guards.

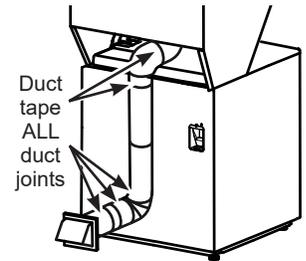
Failure to do so may result in fire, electrical shock or lacerations.

For Downward Venting:

- Insert elbow, rotate it so that it points downward and connect it to the dryer's internal duct. Use only 4" UL approved rigid metal for ducting inside the dryer.



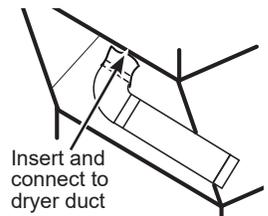
- Apply duct tape as shown on the joint between the dryer internal duct and the elbow, and also the joint between the elbow and the bottom duct.



Internal duct joints must be secured with tape, otherwise they may separate and cause a safety hazard.

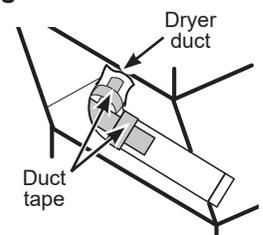
For Side Venting:

- Rotate elbow sections so that the opening points to the side to which you want to vent.
- Preassemble 4" elbow with 4" duct. Use only 4" UL approved rigid metal for ducting inside the dryer.
- Connect duct assembly to the internal dryer elbow duct.

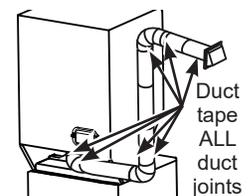


Be sure not to pull or damage the electrical wires inside the dryer when inserting the duct.

- Apply duct tape as shown on the joint between the dryer internal duct and the elbow, and also the joint between the elbow and the side duct.



Internal duct joints must be secured with tape, otherwise they may separate and cause a safety hazard.



Installation Instructions

CONNECTING THE WASHER

PLUMBING INFORMATION

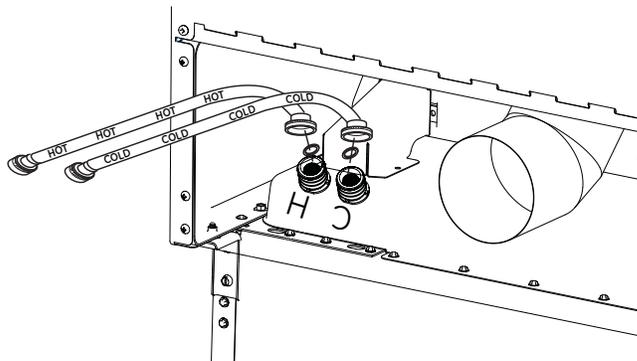
WATER SUPPLY REQUIREMENTS

- **HOT AND COLD WATER FAUCETS** – Must be within 42" of the appliance water inlet hose connections. The faucets must be 3/4" garden hose-type so inlet hoses can be connected.
- **WATER PRESSURE** – Must be between 20 and 120 pounds per square inch with a maximum unbalance pressure, hot vs. cold flowing, of 10 pounds per square inch.
- **WATER TEMPERATURE** – Water heater should be set to deliver 120°F (50°C) to 150°F (66°C) in the washer when HOT wash is selected.
- **SHUT-OFF VALVES** – Both hot and cold water shut-off valves (faucets) should be supplied.
- **LOCATION** – Do not install appliance in an area where the temperature will fall below freezing. If appliance is stored or transported in freezing temperatures, be sure all water from the fill and drain systems has been removed.

DRAIN REQUIREMENTS

- **DRAIN RATE** – The drain or standpipe must be capable of accepting a discharge at the rate of 16 gallons per minute.
- **DRAIN HEIGHT** – The drain height must be 30" minimum and 96" maximum.
- **STANDPIPE DIAMETER** – The standpipe diameter must be 1-1/2" minimum. There **MUST** be an air gap around the drain hose in the standpipe. A snug fit can cause a siphoning action.
- **SIPHON BREAK** – For a drain facility less than 30" high, the hose, coupling and clamps provided in the machine must be used and, in addition, a siphon break **MUST** be installed on the back of the machine. Obtain and use a siphon break kit and follow the instructions in the kit.

CONNECTING TO PLUMBING FACILITIES

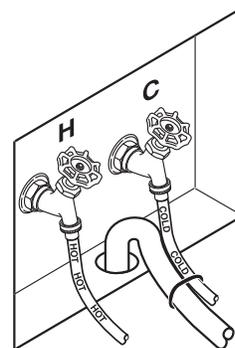


If not installed, install rubber washer in one end of hot water hose. Thread hot water hose onto connection labeled **H** at top rear of washer. Hand tighten, plus an additional 1/8 turn with pliers.

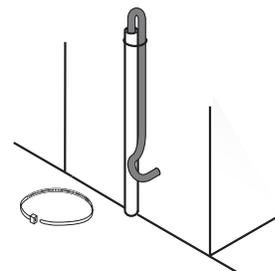
If not installed, install rubber washer in one end of cold water hose. Thread cold water hose onto connection labeled **C** at top rear of washer. Hand tighten, plus an additional 1/8 turn with pliers.

Move appliance as close to final location as possible, leaving room for you to make water, drain, electrical and vent connections to your home.

NOTE: If longer drain hose is required, order drain hose extension kit, part number WH49X301. Connect additional drain hose (contained in kit) to original hose with hose clamp (contained in kit).



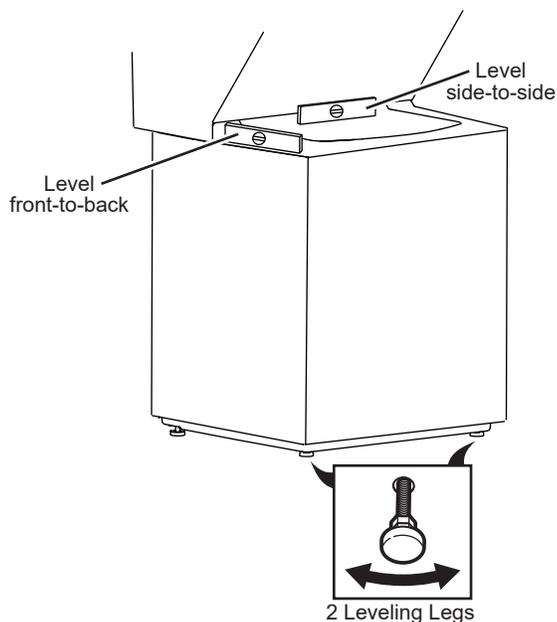
Insert free end of drain hose into drain opening of your home up to drain hose stopper (do not remove hose stopper it prevents siphoning). If water valves and drain are built into wall, fasten drain hose to one of water hoses with cable tie provided (ribbed side on inside). If your drain is a standpipe, fasten drain hose to standpipe with cable tie provided.



Installation Instructions

FINAL SETUP

LEVELING AND STABILIZING YOUR APPLIANCE



1. Carefully move the appliance to its final location. Gently rock the appliance into position. It is important not to damage the rubber leveling legs when moving your appliance to its final location. Damaged legs can increase appliance vibration. It may be helpful to spray window cleaner on the floor to help move your appliance to its final position.

NOTE: Do not use washer cover to lift the unit.

2. To ensure the appliance is level and solid on all four legs, tilt the appliance forward so the rear legs are off the ground. Gently set the appliance back down to allow the rear legs to self adjust.
3. With the appliance in its final position, place a level on top of back part of the washer lid and check it side to side, then check front to back. Screw the front leveling legs up or down to ensure the appliance is resting solid on all four legs (no rocking or the appliance should exist), turn the lock nuts on each leg up toward the base of the unit and snug with a wrench.

NOTE: Keep the leg extension at minimum to prevent excessive vibration. The farther out legs are extended, the more the unit will vibrate.

APPLIANCE START-UP

The washer and dryer are now ready for use. See the **Owner's Manual** for proper use and care.

REGISTER YOUR NEW APPLIANCE TO RECEIVE ANY IMPORTANT PRODUCT NOTIFICATIONS

Please go to www.GEAppliances.com or mail in your Product Registration Card.

Notes

Notes

Instructions D'Installation

Laveuse/Sécheuse Unifiées 01

Si vous avez des questions, appelez GE Appliances 800.GE.CARES ou visitez notre site web: www.GEAppliances.com
Au Canada, appelez le 1.800.561.3344 ou visitez www.electromenagersge.ca

AVANT DE COMMENCER

Lisez attentivement ces instructions dans leur intégralité.

IMPORTANT – Gardez ces instructions pour l'usage de l'inspecteur électrique local.

IMPORTANT – Observez toutes les réglementations et ordonnances en vigueur.

- Installez la appareil conformément aux instructions du fabricant et aux réglementations locales.
- **Remarque pour l'installateur** – Assurez-vous de laisser ces instructions au client.
- **Remarque pour le consommateur** - Gardez ces instructions à titre de référence ultérieure.
- L'installation de la appareil doit être effectuée par un installateur qualifié.
- Cette sècheuse **doit** être mise à l'évent à l'extérieur.
- Retirez les portes de la vieille appareil avant de la mettre au rebut ou hors service.
- Ne laissez pas les enfants monter sur l'appareil ou entrer dans celui-ci. Une surveillance étroite des enfants doit être exercée lorsque l'appareil est utilisé à leur proximité.
- La responsabilité d'installer correctement l'appareil relève de l'installateur.
- Toute défaillance de l'appareil suite à une installation incorrecte n'est pas couverte par la garantie.
- Installez la appareil là où la température est supérieure à 10 C (50 F) pour assurer le bon fonctionnement du système de commande de la appareil.
- Retirez et jetez les conduits en feuille métallique ou en plastique existants et remplacez-les par un conduit homologué UL.
- Les informations de réparation et le diagramme des conduits sont situés sur le tableau d'accès.

⚠ AVERTISSEMENT - Risque d'incendie

- L'installation de la appareil doit être effectuée par un installateur qualifié.
- Installez la appareil conformément aux instructions du fabricant et aux réglementations locales.
- N'installez **PAS** de sècheuse avec des conduits en plastique flexible. Si un conduit métallique flexible (semi-rigide ou du type feuille métallique) est installé, il doit être homologué UL et installé conformément aux instructions figurant dans "Connecter la sècheuse à l'évent de la maison" de ce manuel. Les conduits flexibles ont tendance à s'affaisser, à être facilement écrasés et à piéger la charpie. Ces conditions bouchent le débit d'air de la sècheuse et augmentent le risque d'incendie.
- N'installez et ne remisez **PAS** cet appareil dans un lieu où il peut être exposé à l'eau ou intempéries.
- Pour réduire le risque de blessure grave, voire de mort, suivez toutes les instructions d'installation.
- Gardez ces instructions. (Installateurs: Assurez-vous de laisser ces instructions au client.

SÉCHEUSES À GAZ SEULEMENT

Dans le Commonwealth du Massachusetts, les instructions d'installation suivantes sont applicables :

- Ce produit doit être installé par un plombier ou un monteur d'installations au gaz licencié.
- Si vous utilisez des robinets d'arrêt du gaz à bille, ils doivent avoir une poignée en T.
- Si vous utilisez un raccord de gaz flexible, il ne doit pas dépasser 1 m (3 pieds).

SÉCHEUSES À GAZ SEULEMENT

Avertissements de la Proposition 65 de l'État de la Californie

⚠ AVERTISSEMENT Ce produit contient une ou plusieurs substances chimiques reconnues par l'État de Californie pour causer le cancer, et des anomalies congénitales ou d'autres problèmes liés à la reproduction.

Les appareils à gaz peuvent entraîner des expositions de faible intensité à certaines de ces substances, y compris au benzène, au monoxyde de carbone, au formaldéhyde et à la suie, en raison principalement d'une combustion incomplète du gaz naturel ou liquifié. L'exposition à ces substances peut être réduite au minimum par la ventilation adéquate de la sècheuse vers l'extérieur.

PIECES FOURNIES



1 Collier en plastique



2 Tuyaux de la laveuse



2 Grillages pour crépine



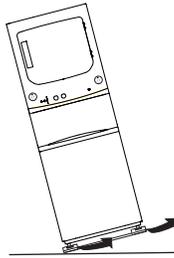
NOTE: Les rondelles en caoutchouc peuvent être dans les tuyaux de la laveuse

Instructions d'installation

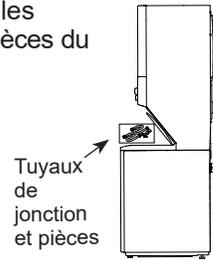
DÉBALLAGE DE VOTRE APPAREIL

Inclinez la appareil latéralement et enlevez les coussinets d'expédition en mousse en les poussant sur les côtés et en les détachant des pattes de la appareil. Assurez-vous d'enlever toutes les pièces en mousse autour des pattes.

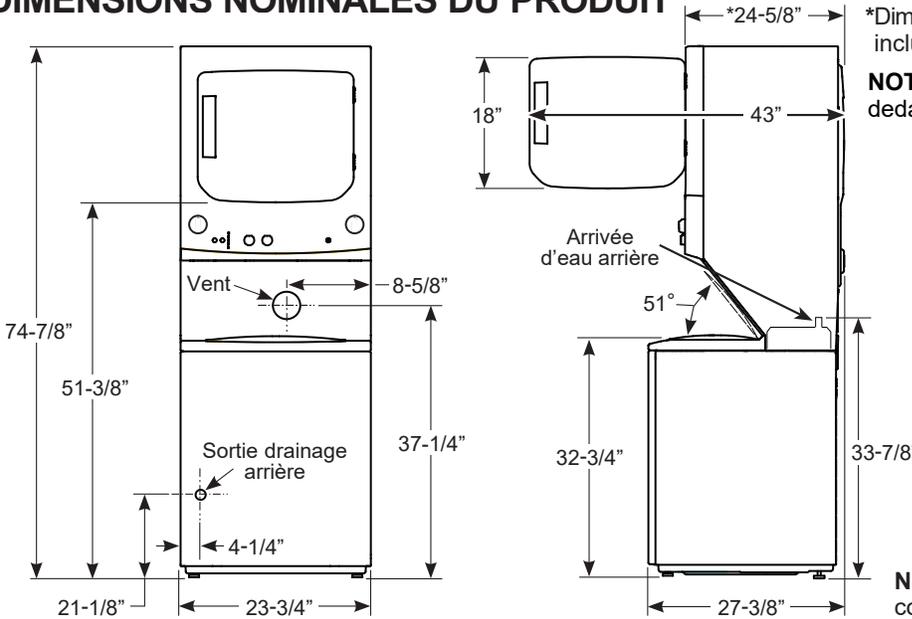
Après que la machine soit dans votre maison, enlevez les matériaux restants et cartons de la laveuse.



Enlevez le sac contenant les tuyaux de jonction et les pièces du bac.

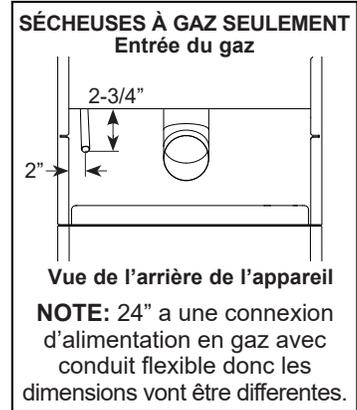


24" DIMENSIONS NOMINALES DU PRODUIT



*Dimensions lorsque les portes sont fermées incluant les poignées et les boutons.

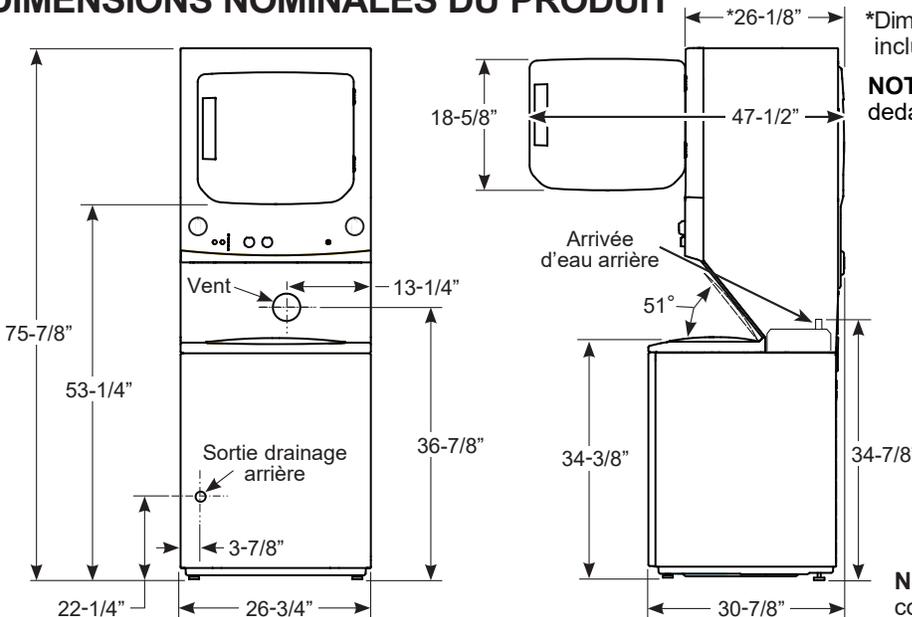
NOTE: Toutes les dimensions sont en dedans de $\pm 1/8"$.



NOTE: 24" a une connexion d'alimentation en gaz avec conduit flexible donc les dimensions vont être différentes.

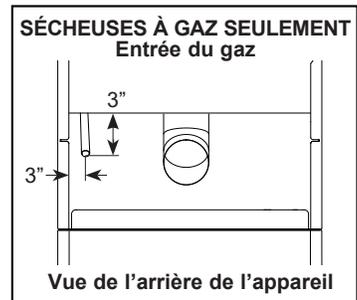
NOTE: Dimensions en pieds, correspondant à $\pm 3/8"$.

27" DIMENSIONS NOMINALES DU PRODUIT



*Dimensions lorsque les portes sont fermées incluant les poignées et les boutons.

NOTE: Toutes les dimensions sont en dedans de $\pm 1/8"$.



NOTE: Dimensions en pieds, correspondant à $\pm 3/8"$.

Instructions d'installation

EXIGENCES RELATIVES À UNE INSTALLATION ENCASTRÉE

⚠ AVERTISSEMENT - Risque d'explosion

Gardez les matières et les vapeurs inflammables telles que l'essence à distance de la sécheuse.

L'omission de prendre ces précautions peut provoquer la mort, l'explosion ou l'incendie.

- L'air de la sécheuse DOIT être évacué vers l'extérieur.
- L'espace minimum entre la sécheuse et les murs adjacents ou d'autres surfaces est le suivant:
 - 0 mm (0 po) des deux côtés
 - 0 mm (0 po) arrière
 - 2,54 mm (1 po) avant
 - 2,54 mm (1 po) haut
- Il faut veiller à procurer le dégagement nécessaire à l'installation et aux interventions de service.
- Les portes du placard doivent être perforées ou autrement ventilées et doivent contenir un minimum de :
 - 72 pouces carrés (464 cm²) d'espace ouvert pour les modèles de la série GUD24
 - 120 pouces carrés (774 cm²) d'espace ouvert pour les modèles de la série GUD27 et GUV27

REMARQUE: SI LE TUYAU D'ÉVACUATION EST SITUÉ À L'ARRIÈRE DE LA SÉCHEUSE, LA CONFIGURATION DU TUYAU POURRAIT DEMANDER UNE DÉGAGEMENT EN ARRIÈRE PLUS GRANDE QUE 3 POUCHES.

Sécheuses à gaz seulement.

- Aucun autre appareil alimenté au carburant ne doit être installé dans le même placard qu'une sécheuse à gaz.
- La sécheuse doit être débranchée de la conduite d'alimentation en gaz lors des essais de pression lorsque celle-ci est supérieure à 1/2 psi (3,5 kPa).
- Un connecteur obturé d'un minimum de 1/8 pouce NPT, accessible pour la connection de l'instrument de mesure, doit être posé tout juste en amont de la connection de l'alimentation en gaz de la sécheuse.

DÉGAGEMENTS MINIMUMS AUTRES QUE POUR UNE INSTALLATION ENCASTRÉE

Les dégagements minimums par rapport aux surfaces inflammables et pour l'orifice d'aération sont les suivants : 0 po des deux côtés, 0 po à l'arrière et 25 mm (1 po) haut. Veillez à prévoir des dégagements suffisants pour toute installation et réparation.

CONDITIONS D'INSTALLATION DEL'EMPLACEMENT

Cet appareil doit être installé sur un sol solide pour minimiser les vibrations durant le cycle d'essorage. Le sol en béton est meilleur, mais une base en bois est suffisante. Cet appareil ne devrait pas être installé sur un tapis.

N'installez jamais votre la appareil :

1. Dans un endroit exposé à de l'eau qui coule ou aux conditions climatiques extérieures. La température ambiante ne doit jamais être inférieure à 15,6°C (60°F) pour que l'appareil fonctionne bien.
2. Dans un endroit où elle entre en contact avec des tentures ou des rideaux.
3. Sur un tapis. Le sol **DOIT** être une surface dure avec une pente maximum de 1,27 cm per 30 cm (1/2 pouce par pied). Pour vous assurer que l'appareil ne vibre pas ou ne bouge pas, il est possible que vous deviez renforcer le plancher.

NOTE : Si le plancher est en mauvais état, utilisez une feuille de contreplaqué traité de 3/4 po. fixé solidement à la couverture de plancher actuelle.

INSTALLATION DANS UNE MAISON MOBILE OU PRÉFABRIQUÉE

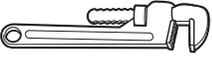
- Installation DOIT être conforme à la NORME DE SÉCURITÉ POUR LA CONSTRUCTION DE MAISONS FABRIQUÉES, TITRE 24, PARTIE 3280 ou NORME POUR DES MAISONS MOBILES CAN/CSA-Z240 MH, ou, si la norme n'est pas applicable, à la NORME NATIONALE AMÉRICAINE POUR LES MAISONS MOBILES ANSI/NFPA N° 501B.
- L'air de la sécheuse DOIT être évacué vers l'extérieur.
- L'évent d'évacuation DOIT être fixé d'une façon sécuritaire à une partie non combustible de la maison mobile.
- La ventilation NE DOIT PAS déboucher sous une maison mobile ou fabriquée.
- Le matériau du tuyau de ventilation DOIT ÊTRE LE MÉTAL.
- L'ensemble 14-D346-33 DOIT être utilisé pour raccorder la sécheuse à la structure.
- La ventilation NE DOIT PAS être raccordée à tout autre tuyau, évent ou cheminée.
- **N'utilisez PAS** de vis à tôle ni d'autres dispositifs de serrage qui dépassent à l'intérieur de l'évent d'évacuation.
- Prévoyez une ouverture dotée d'une zone ouverte de 63 cm² (25 pouces carrés) pour l'infiltration d'air extérieur dans de la sécheuse chambre.
- Voir la section pour des renseignements sur la connexion électrique.

Instructions d'installation

RACCORDEMENT D'UNE SÈCHEUSE À GAZ (non applicable aux sècheuses à électriques)

OUTILS NÉCESSAIRES

- Clés à molette (2) 10 po

- Clé à tuyau 8 po

- Pince à joint coulissant

- Tournevis à tête plate

- Tourne-vis a douille 1/4"

- Niveau


MATÉRIEL NÉCESSAIRE

- Coude métallique 4 po de diamètre

- Mastic ou PTFE ruban pour joints de tuyaux

- Tuyau de raccordement souple

- Colliers de conduit (2) ou brides à ressort (2)

- Lunettes de protection

- Tuyau métallique 4 po de diamètre (recommandé)

- Tuyau métallique souple 4 po de diamètre (si nécessaire)

- Gants

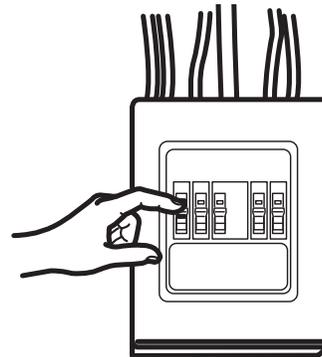
- Solution savonneuse pour la détection de fuites

- Évent d'évacuation

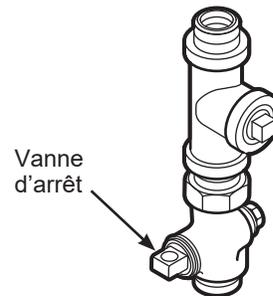
- Ruban adhésif

- Gaz adaptateur (2) (sècheuses à 27 po seulement), elbow (sècheuses à 27 po seulement), un coude et obturateur


- Avant de démarrer l'installation, déclenchez le disjoncteur ou enlevez le fusible de la sècheuse au panneau de distribution électrique. Assurez-vous que le cordon d'alimentation de la sècheuse est débranché de la prise murale.



- Fermez la vanne d'arrêt du gaz de la sècheuse de la conduite d'alimentation.



- Démontez et jetez l'ancien connecteur de gaz flexible et l'ancien conduit.



Instructions d'installation

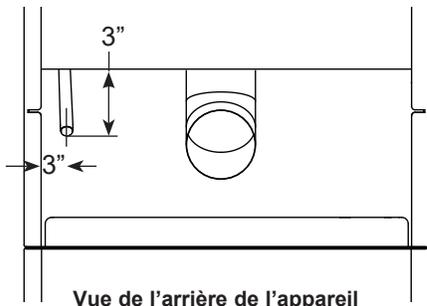
EXIGENCES RELATIVES AU GAZ

⚠ AVERTISSEMENT - Risque d'explosion

- Utilisez une conduite de gaz flexible neuve, homologuée CSA International. Ne réutilisez jamais des connecteurs flexibles qui ont déjà servi.
 - Installez une vanne manuelle d'arrêt individuelle à l'intérieure de 6 pieds de la sècheuse conformément au Code National du Gaz Combustible, ANSI Z223.1 / NFPA 54.
 - Serrez fermement tous les raccords de gaz.
 - Si l'alimentation consiste en du gaz liquéfié, demandez à un technicien agréé de confirmer que la pression de gaz N'excède pas 33 cm (13 po) de la colonne d'eau.
 - Un technicien agréé peut provenir d'une entreprise spécialisée en chauffage, fourniture de gaz ou réparation.
 - L'omission de prendre ces précautions peut provoquer la mort, l'explosion ou l'incendie.
- L'installation doit être conformes aux normes des codes locaux ou, en leur absence, avec la norme ANSI Z223.1/NFPA 54 du National Fuel Gas Code ou CSA B149.1 du Natural Gas and Propane Installation Code.

RACCORDEMENT DE L'ALIMENTATION EN GAZ DE LA SÈCHEUSE

27" CONNEXION D'ALIMENTATION EN GAZ.



REMARQUE: 24" a une connexion d'alimentation en gaz avec conduit flexible donc les dimensions vont être différentes.

Vous devez utiliser un connecteur flexible en métal certifié par ANSI Z21.24/CSA 6.10. La longueur du connecteur ne doit pas excéder 3 pieds.

ALIMENTATION EN GAZ

- Un robinet de raccordement à filetage National Pipe Taper 3,2 mm (1/8 po), accessible pour le raccordement d'un manomètre, doit être installé immédiatement en amont du raccord d'alimentation en gaz de la sècheuse. Contactez votre service de gaz local si vous avez des questions sur l'installation d'un robinet de raccordement.
- La conduite d'alimentation doit être composée d'un tube rigide de 12,7 mm (1/2 po) et équipée d'une vanne d'arrêt à moins de 1,8 m (6 pieds) de la sècheuse et dans la même pièce.
- Utilisez un mastic d'étanchéité approprié au gaz naturel ou au gaz de pétrole liquéfié ou utilisez du ruban PTFE.
- Raccordez le tuyau de raccordement métallique souple à la sècheuse et à l'alimentation en gaz.

⚠ AVERTISSEMENT - Risque d'incendie

POUR UNE UTILISATION AVEC GAZ NATUREL SEULEMENT

La sècheuse, telle que produite par le fabricant, doit être utilisée uniquement avec une alimentation en gaz naturel. Pour convertir cette sècheuse au gaz propane il est nécessaire un kit de conversion fourni par le fabricant. Utilisez le kit propane de conversion de gaz WE25M73 pour modèles 24" ou WE25M74 pour modèles 27". La conversion doit être effectuée par du personnel formé et qualifié conformément aux codes et règlements locaux.

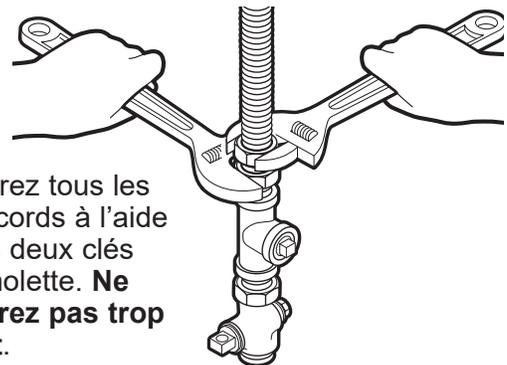
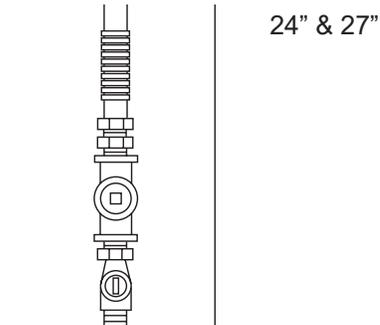
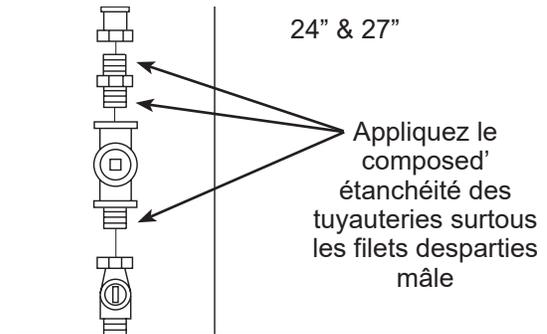
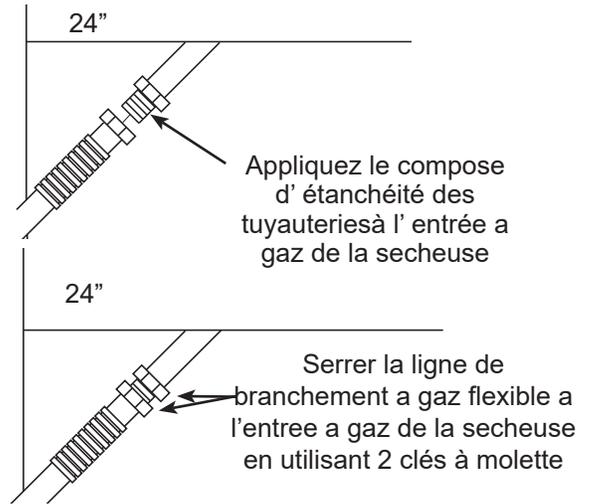
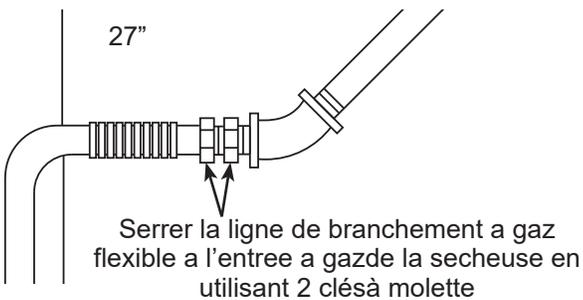
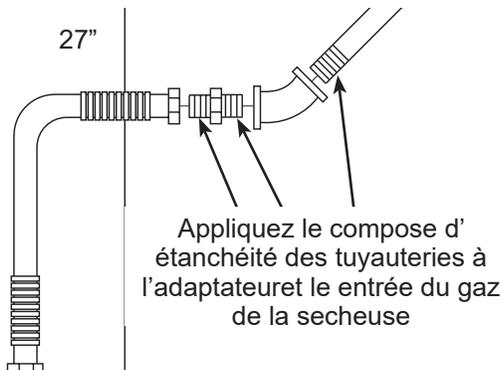
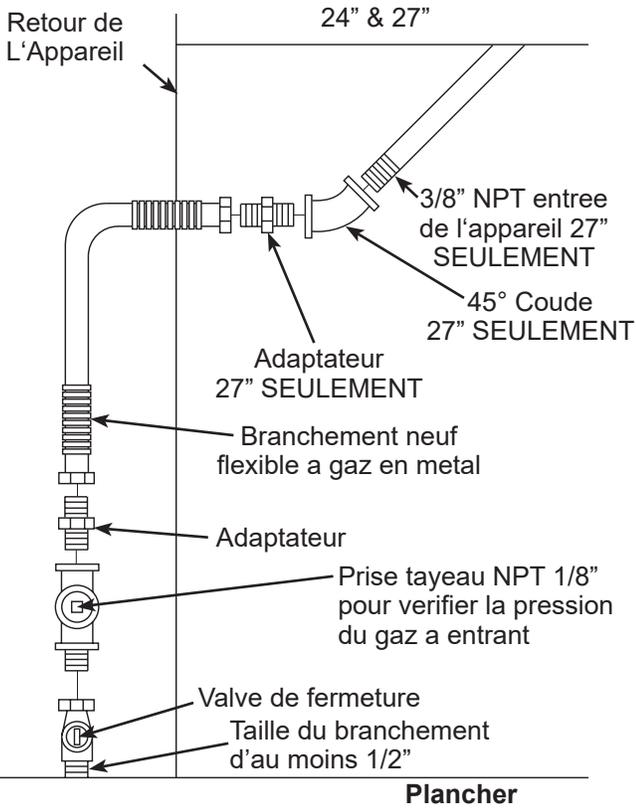
AJUSTEMENT DÛ À L'ÉLÉVATION

- Le flux d'entrée des sècheuses à gaz est ajusté pour une opération au niveau de la mer et n'a pas besoin d'être ajusté pour une opération à 2000 pieds d'altitude ou moins. Pour une opération au dessus de 2000 pieds d'altitude, le flux d'entrée doit être réduit à une fréquence de 4 pourcent par 1000 pieds au dessus du niveau de la mer.
- L'installation doit être conforme aux codes locaux ou, si en absence de ces codes, le « NATIONAL FUEL GAS CODE, ANSI Z223 ».

Instructions d'installation

RACCORDEMENT D'UNE SÈCHEUSE À GAZ (suite)

RACCORDEMENT DE LA SÈCHEUSE À L'ALIMENTATION EN GAZ



Ouvrez la vanne d'arrêt de gaz.



Instructions d'installation

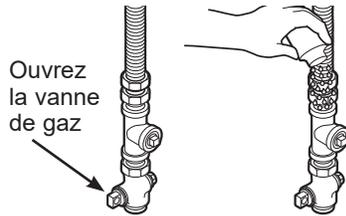
DÉTECTION DES FUITES

N'utilisez jamais une flamme nue pour vérifier la présence de fuites de gaz.

Contrôlez la présence de fuites sur tous les raccordements avec une solution savonneuse ou similaire.

Appliquez une solution savonneuse. La solution de détection des fuites ne doit pas contenir d'ammoniaque, ce qui pourrait endommager les raccords en laiton.

Si des fuites sont détectées, fermez la vanne, resserrez le raccord en cause et répétez la procédure de détection de fuites.



INFORMATIONS DE BRANCHEMENT ÉLECTRIQUE POUR LES SÈCHEUSES À GAZ

⚠ AVERTISSEMENT - Risque d'électrocution

Brancher l'appareil dans une prise à 3 broches mise à la terre.

NE PAS enlever la broche de mise à la terre.

N'UTILISEZ pas de rallonge électrique.

N'UTILISEZ pas d'adaptateur de prise.

L'omission de prendre ces précautions peut provoquer la mort, l'explosion ou l'incendie.

- Circuit – individuel, correctement polarisé et mise à la terre, disjoncteur de 15 ou 20 ampères ou fusible à temporisation.
- Alimentation - 2 fils plus la terre, 120 Volt, monophasé, 60 Hz, courant alternatif.
- Réceptacle sortie - Réceptacle à 3 broches correctement mise à la terre, doit être placé de telle manière que le cordon d'alimentation soit accessible lorsque la sècheuse est installée dans sa position finale.

Assurez-vous au préalable qu'une mise à la terre existe bien et qu'elle fonctionne correctement.



Si le circuit a un réceptacle à 2 broches, c'est la responsabilité du propriétaire de le faire remplacer par un réceptacle à 3 broches correctement mise à la terre par un électricien agréé.

INFORMATIONS DE BRANCHEMENT ÉLECTRIQUE POUR LES SÈCHEUSES À GAZ (suite)

- Appareil doit être mise à la terre conformément aux codes locaux et ordonnances, ou, en l'absence de tels codes, à la dernière édition du Code National Électrique, ANSI / NFPA NO. 70 ou du Code canadien de l'électricité, CSA C22.1. Vérifiez auprès d'un électricien agréé si vous n'êtes pas sûr que la sècheuse est correctement mise à la terre.

INSTRUCTIONS DE MISE À LA TERRE

Cet appareil doit être mise à la terre. Dans l'éventualité d'un mal fonctionnement ou d'une panne, la mise à la terre réduit le risque de choc électrique en procurant un circuit de moindre résistance au courant électrique. Cet appareil utilise un cordon doté d'un conducteur de mise à la terre de l'appareillage et d'une fiche de mise à la terre. La fiche doit être branchée dans une prise compatible correctement installée et mise à la terre conformément à tous les codes et règlements en vigueur.

⚠ AVERTISSEMENT Une connexion incorrecte du conducteur de mise à la terre de l'appareillage peut poser un risque de choc électrique. Consultez un électricien ou réparateur qualifié si vous doutez que l'appareil soit correctement mis à la terre. **NE** modifiez **PAS** la fiche du cordon d'alimentation. Si elle ne s'insère pas dans la prise, demandez à un électricien agréé de poser une prise appropriée.

CONSERVEZ CES INSTRUCTIONS

Instructions d'installation

RACCORDEMENT D'UNE SÈCHEUSE ÉLECTRIQUE (non applicable aux sècheuses à gaz)

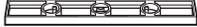
OUTILS NÉCESSAIRES

- Pince à joint coulissant

- Tourne-vis à tête plate

- Tourne-vis cruciforme

- Tourne-vis a douille 1/4"

- Niveau


MATÉRIEL NÉCESSAIRE

- Coude métallique 4 po diamètre

- Réducteur de tension 3/4 po (UL)

- Colliers de conduit 4 po (2) ou brides à ressort 4 po (2)

- Lunettes de protection

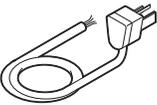
- Tuyau métallique 4 po de diamètre (recommandé)

- Tuyau métallique souple 4 po de diamètre (si nécessaire)

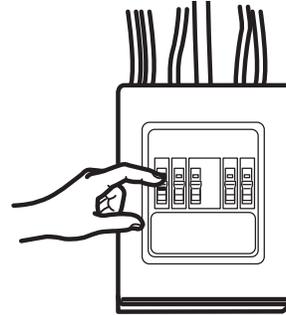
- Gants

- L'évent d'évacuation

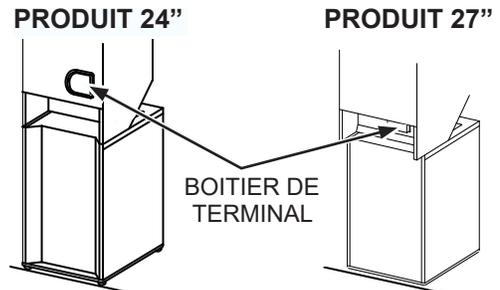
- Ruban adhésif

- Cordon d'alimentation de l'appareil (non livré avec l'appareil)
Conforme à la norme UL 120/240 V, 30 A avec 3 ou 4 broches. Identifiez le type de fiche selon la prise murale de votre domicile avant d'acheter le cordon


Avant d'effectuer le branchement électrique, déclenchez le disjoncteur ou enlevez le fusible de la sècheuse au panneau de distribution électrique. Assurez-vous que le cordon d'alimentation de la sècheuse est débranché de la prise murale. **NE LAISSEZ JAMAIS LE CAPOT DE LA PLAQUE À BORNES ENLEVÉ.**



EMPLACEMENT CONNEXION ÉLECTRIQUE



CORDONS D'ALIMENTATION

GE Appliances recommande vivement l'utilisation de pièces spécifiées par le fabricant. Choisissez un cordon d'alimentation qui correspond aux exigences de votre installation.

Commandez en ligne sur www.electromenagersge.ca 24 heures sur 24 ou en téléphonant au **1-800 561-3344** durant les heures normales d'affaire.

No de pièce	Type	Longueur	Intensité de courant
WX9X2	3-Trifilaire	4 Pied	30
WX9X3	3-Trifilaire	5 Pied	30
WX9X4	3-Trifilaire	6 Pied	30
WX9X18	4-Trifilaire	4 Pied	30
WX9X19	4-Trifilaire	5 Pied	30
WX9X20	4-Trifilaire	6 Pied	30

Instructions d'installation

RENSEIGNEMENTS SUR LES RACCORDS ÉLECTRIQUES POUR SÈCHEUSES ÉLECTRIQUES

Pour les branchements électriques utilisant un cordon d'alimentation :

▲ AVERTISSEMENT - Risque d'incendie

Utilisez un cordon d'alimentation de 240 V 30 ampères homologué UL pour sècheuse avec cosses à anneau fermées ou cosses fermées aux extrémités renversées.

Utilisez un réducteur de tension homologué UL. Débranchez l'alimentation avant d'effectuer des connexions électriques.

Connectez le fil neutre (le fil blanc ou central) sur la borne centrale.

Le fil de terre (fil vert ou à nu) doit être branché à un connecteur de terre vert.

Connectez les deux autres fils d'alimentation sur les deux bornes correspondantes.

Serrez fermement toutes les connexions électriques.

Remplacez le couvercle du bloc des bornes.

L'omission de prendre ces précautions peut provoquer la mort, l'explosion ou l'incendie.

INSTRUCTIONS DE MISE À LA TERRE

Pour une sècheuse branchée par cordon mis à la terre : Cet appareil doit être mise à la terre. Dans l'éventualité d'un mal fonctionnement ou d'une panne, la mise à la terre réduit le risque de choc électrique en procurant un circuit de moindre résistance au courant électrique. Cet appareil utilise un cordon doté d'un conducteur de mise à la terre de l'appareillage et d'une fiche de mise à la terre. La fiche doit être branchée dans une prise compatible correctement installée et mise à la terre conformément à tous les codes et règlements en vigueur.

▲ AVERTISSEMENT Une connexion incorrecte du conducteur de mise à la terre de l'appareillage peut poser un risque de choc électrique. Consultez un électricien ou réparateur qualifié si vous doutez que l'appareil soit correctement mis à la terre. **NE** modifiez **PAS** la fiche du cordon d'alimentation. Si elle ne s'insère pas dans la prise, demandez à un électricien agréé de poser une prise appropriée.

CONSERVEZ CES INSTRUCTIONS

RENSEIGNEMENTS SUR LES RACCORDS ÉLECTRIQUES POUR SÈCHEUSES ÉLECTRIQUES

Pour les connexions de fil directes :

▲ AVERTISSEMENT - Risque d'incendie

Utilisez un fil de cuivre de calibre 10.

Utilisez un réducteur de tension homologué UL.

Débranchez l'alimentation avant d'effectuer des connexions électriques.

Connectez le fil neutre (le fil blanc ou central) sur la borne centrale.

Le fil de terre (fil vert ou à nu) doit être branché à un connecteur de terre vert.

Connectez les deux autres fils d'alimentation sur les deux bornes correspondantes.

Serrez fermement toutes les connexions électriques.

Remplacez le couvercle du bloc des bornes.

L'omission de prendre ces précautions peut provoquer la mort, l'explosion ou l'incendie.

INSTRUCTIONS DE MISE À LA TERRE

Pour une sècheuse à branchement permanent : Cet appareil doit être connectée à du métal mis à la terre ou à un système de câblage permanent ; ou encore un conducteur de mise à la terre de l'appareillage doit être acheminé avec les conducteurs du circuit et connecté à une borne de mise à la terre de l'appareillage sur l'appareil.

▲ AVERTISSEMENT Une connexion incorrecte du conducteur de mise à la terre de l'appareillage peut poser un risque de choc électrique. Consultez un électricien ou réparateur qualifié si vous doutez que l'appareil soit correctement mis à la terre.

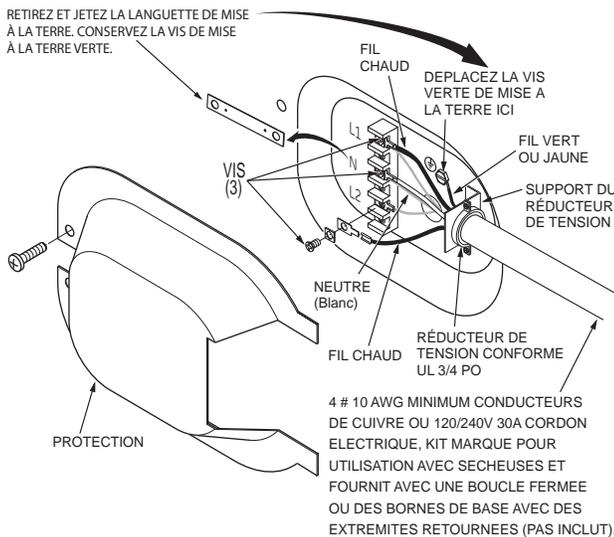
CONSERVEZ CES INSTRUCTIONS

Instructions d'installation

MODÈLES 24" - RACCORDEMENT SÈCHEUSE ÉLECTRIQUE

BRANCHEMENT DE LA SÈCHEUSE À L'AIDE D'UN CÂBLE À 4 FILS (À UTILISER POUR L'INSTALLATION DANS UNE MAISON MOBILE)

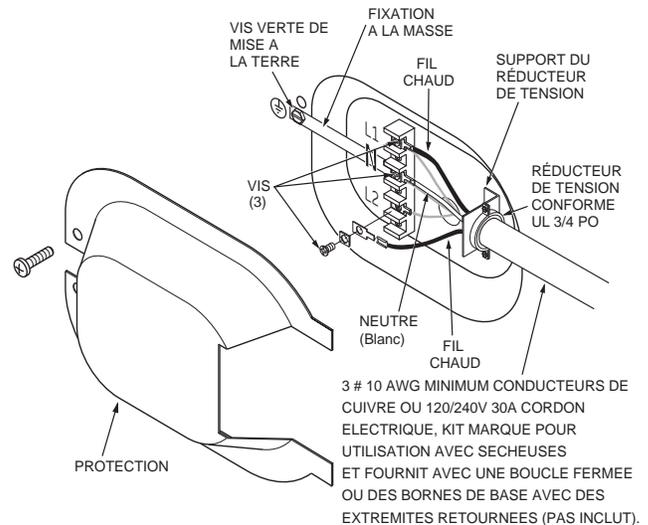
REMARQUE: Depuis le 1^{er} janvier 1996, le Code national de l'électricité impose aux nouvelles constructions d'utiliser un raccordement à 4 fils pour une sècheuse électrique. Un cordon à 4 fils doit aussi être utilisé lorsque les normes locales n'autorisent pas une mise à la terre via le neutre. Un raccordement à 3 fils NE doit PAS être utilisé dans une nouvelle construction.



1. Déclenchez le(s) disjoncteur(s) ou retirez le(s) fusible(s) du circuit du tableau électrique.
2. Assurez-vous que le cordon de la sècheuse est débranché de la prise murale.
3. Retirez le couvercle du cordon d'alimentation situé à l'arrière.
4. Retirez et jetez la languette de mise à la terre. Conservez la vis verte de mise à la terre pour l'étape 7.
5. Insérez un réducteur de tension conforme UL 3/4 po dans le trou d'entrée du cordon. Faites passer le cordon d'alimentation dans le réducteur de tension.
6. Connectez le cordon d'alimentation comme suit :
 - A. Connectez les 2 fils sous tension aux vis extérieures de la plaque à bornes (L1 et L2).
 - B. Connectez le fil neutre (blanc) au centre de la plaque à bornes (N).
7. Branchez le fil de terre du cordon à la vis verte de mise à la terre (trou placé au-dessus du support du réducteur de tension). Serrez toutes les vis de la plaque à bornes (3) fermement.
8. Fixez le cordon d'alimentation dans le réducteur de tension.
9. Réinstallez le couvercle.

NE LAISSEZ JAMAIS LE COUVERCLE ENLEVÉ DE LA PLAQUE À BORNES.

RACCORDEMENT DE LA SÈCHEUSE À L'AIDE D'UN CÂBLE À 3 FILS



Connexion à 3 fils

NE peut pas être utilisée au Canada.
NE peut pas être utilisée dans une maison mobile.
NE peut pas être utilisée dans les nouvelles constructions.
NE peut pas être utilisée dans les véhicules récréatifs.
NE peut pas être utilisée dans les régions où les codes locaux interdisent la mise à la terre par le biais du câble neutre.

1. Déclenchez le(s) disjoncteur(s) ou retirez le(s) fusible(s) du circuit du tableau électrique.
2. Assurez-vous que le cordon de la sècheuse est débranché de la prise murale.
3. Retirez le couvercle du cordon d'alimentation situé à l'arrière.
4. Insérez un réducteur de tension conforme UL 3/4 po dans le trou d'entrée du cordon. Faites passer le cordon d'alimentation dans le réducteur de tension.
5. Connectez le cordon d'alimentation comme suit :
 - A. Connectez les 2 fils sous tension aux vis extérieures de la plaque à bornes (L1 et L2).
 - B. Connectez le fil neutre (blanc) au centre de la plaque à bornes (N).
6. Veillez à ce que la languette de mise à la terre soit connectée à la borne neutre (centre) de la plaque à bornes et à la vis verte de mise à la terre sur le boîtier. Serrez toutes les vis de la plaque à bornes (3) fermement.
7. Fixez le cordon d'alimentation dans le réducteur de tension.
8. Réinstallez le couvercle.

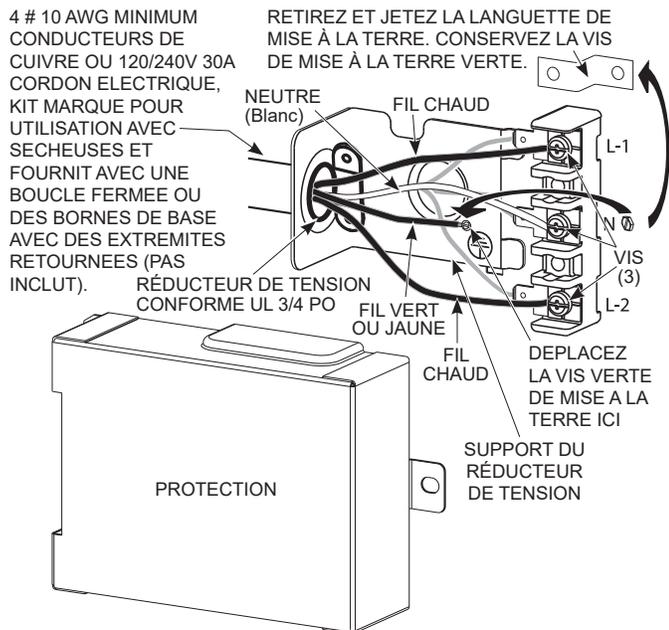
NE LAISSEZ JAMAIS LE COUVERCLE ENLEVÉ DE LA PLAQUE À BORNES.

Instructions d'installation

MODÈLES 27" - RACCORDEMENT SÉCHEUSE ÉLECTRIQUE

BRANCHEMENT DE LA SÉCHEUSE À L'AIDE D'UN CÂBLE À 4 FILS (À UTILISER POUR L'INSTALLATION DANS UNE MAISON MOBILE)

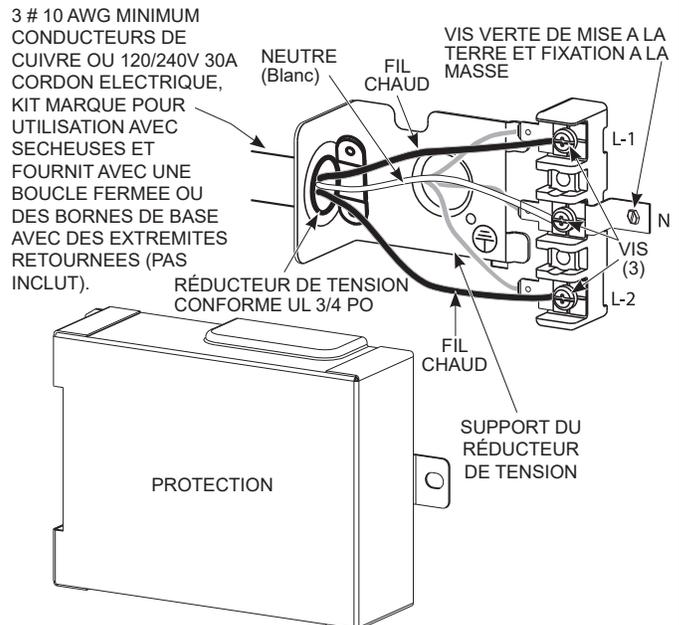
REMARQUE: Depuis le 1^{er} janvier 1996, le Code national de l'électricité impose aux nouvelles constructions d'utiliser un raccordement à 4 fils pour une sècheuse électrique. Un cordon à 4 fils doit aussi être utilisé lorsque les normes locales n'autorisent pas une mise à la terre via le neutre. Un raccordement à 3 fils NE doit PAS être utilisé dans une nouvelle construction.



1. Déclenchez le(s) disjoncteur(s) ou retirez le(s) fusible(s) du circuit du tableau électrique.
2. Assurez-vous que le cordon de la sècheuse est débranché de la prise murale.
3. Retirez le couvercle du cordon d'alimentation situé à l'arrière.
4. Retirez et jetez la languette de mise à la terre. Conserver la vis verte de mise à la terre pour l'étape 7.
5. Insérez un réducteur de tension conforme UL 3/4 po dans le trou d'entrée du cordon. Faites passer le cordon d'alimentation dans le réducteur de tension.
6. Connectez le cordon d'alimentation comme suit :
 - A. Connectez les 2 fils sous tension aux vis extérieures de la plaque à bornes (L1 et L2).
 - B. Connectez le fil neutre (blanc) au centre de la plaque à bornes (N).
7. Branchez le fil de terre du cordon à la vis verte de mise à la terre (trou placé en-dessous du support du réducteur de tension). Serrez toutes les vis de la plaque à bornes (3) fermement.
8. Fixez le cordon d'alimentation dans le réducteur de tension.
9. Réinstallez le couvercle.

NE LAISSEZ JAMAIS LE COUVERCLE ENLEVÉ DE LA PLAQUE À BORNES.

RACCORDEMENT DE LA SÉCHEUSE À L'AIDE D'UN CÂBLE À 3 FILS



Connexion à 3 fils

NE peut pas être utilisée au Canada.
 NE peut pas être utilisée dans une maison mobile.
 NE peut pas être utilisée dans les nouvelles constructions.
 NE peut pas être utilisée dans les véhicules récréatifs.
 NE peut pas être utilisée dans les régions où les codes locaux interdisent la mise à la terre par le biais du câble neutre.

1. Déclenchez le(s) disjoncteur(s) ou retirez le(s) fusible(s) du circuit du tableau électrique.
2. Assurez-vous que le cordon de la sècheuse est débranché de la prise murale.
3. Retirez le couvercle du cordon d'alimentation situé à l'arrière.
4. Insérez un réducteur de tension conforme UL 3/4 po dans le trou d'entrée du cordon. Faites passer le cordon d'alimentation dans le réducteur de tension.
5. Connectez le cordon d'alimentation comme suit :
 - A. Connectez les 2 fils sous tension aux vis extérieures de la plaque à bornes (L1 et L2).
 - B. Connectez le fil neutre (blanc) au centre de la plaque à bornes (N).
6. Veillez à ce que la languette de mise à la terre soit connectée à la borne neutre (centre) de la plaque à bornes et à la vis verte de mise à la terre sur le boîtier. Serrez toutes les vis de la plaque à bornes (3) fermement.
7. Fixez le cordon d'alimentation dans le réducteur de tension.
8. Réinstallez le couvercle.

NE LAISSEZ JAMAIS LE COUVERCLE ENLEVÉ DE LA PLAQUE À BORNES.

Instructions d'installation

ÉVACUATION DE LA SÈCHEUSE

⚠ AVERTISSEMENT - Risque d'incendie

L'air de la sècheuse DOIT être évacué vers l'extérieur.

Utilisez seulement des tuyaux métalliques rigides de 10,2 cm (4 po) pour le conduit d'évacuation du domicile.

Utilisez seulement des tuyaux métalliques rigides de 10,2 cm (4 po) ou des conduits de transition pour sècheuse homologués UL pour brancher la sècheuse au conduit d'évacuation du domicile.

N'employez **PAS** un évent en plastique.

Ne dirigez **PAS** l'évacuation dans une cheminée, la hotte de cuisine, un évent à gaz, un mur, un plafond, un comble, un vide sanitaire ou un espace dissimulé d'un bâtiment.

N'installez **PAS** un grillage dans ou par-dessus le conduit d'échappement.

N'installez **PAS** un ventilateur d'appoint dans le tuyau de ventilation.

N'utilisez **PAS** un conduit dont la longueur dépasse celle spécifiée dans le tableau des longueurs d'échappement.

L'omission d'observer ces directives peut entraîner le décès ou l'incendie.

OUTILS ET MATÉRIEL NÉCESSAIRES À L'INSTALLATION DU CONDUIT D'ÉVACUATION

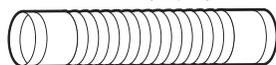
Tournevis cruciforme



Ruban de toile ou colliers pour conduit



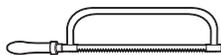
Conduit métallique rigide ou souple homologué UL de 10,2 cm (4 po)



Percez à l'aide d'un foret de 1/8 po (pour évacuation par le dessous)



Scie à métaux



Évent d'évacuation



PIÈCES DISPONIBLES DE D'ENTREPRISES DE SERVICES LOCAUX

PM8X85 Hotte extérieure de ventilation

PM08X10085 Conduit de transition flexible en métal de 8 pieds, à 2 pinces, pour sècheuses

WX08X10130 Pince de serrage pour conduits de 4 pouces pour sècheuses

WE49X22606 Couvercle pour l'ouverture arrière d'échappement, pour des sècheuses ventilées par les côtés ou par le bas.

BRANCHEMENT DE LA SÈCHEUSE À L'ÉVENT DU DOMICILE

CONDUIT DE TRANSITION EN MÉTAL RIGIDE

- Pour une meilleure efficacité de séchage, un conduit de transition en métal rigide est recommandé.
- Les conduits de transition en métal rigide réduisent le risque d'écrasement et de pliure.

CONDUIT DE TRANSITION EN MÉTAL FLEXIBLE (SEMI-RIGIDE) HOMOLOGUÉ UL

- Si un conduit métallique rigide ne peut être utilisé, alors un conduit métallique flexible semi-rigide homologué UL peut être employé (ensemble PM08X10085).
- N'installez jamais un conduit métallique flexible dans des murs, des plafonds, des planchers ou d'autres espaces restreints.
- La longueur totale du conduit métallique flexible ne doit pas dépasser 2,4 m (8 pi).
- Pour de nombreuses applications, l'installation de coudes aussi bien à la sècheuse qu'au mur est vivement recommandée (Voir les illustrations dans la section suivante). Les coudes permettent à la sècheuse de reposer près du mur sans plier ni écraser le conduit de transition, optimisant ainsi l'efficacité du séchage.
- Évitez de faire reposer le conduit sur des objets coupants.

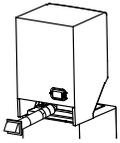
CONDUIT DE TRANSITION EN MÉTAL FLEXIBLE (TYPE EN FEUILLE) HOMOLOGUÉ UL

- Dans des installations spéciales, il peut être nécessaire de brancher la sècheuse à l'évent du domicile à l'aide d'un conduit métallique flexible (type en feuille). Le conduit de transition flexible pour sècheuses approuvé par UL (pièce de GE Appliances - PM8X73 ou WX8X73) peut être utilisé seulement dans des installations où le conduit en métal rigide où les conduits métalliques rigides ou flexibles (semi-rigides) ne peuvent pas être employés ET où un diamètre de 10,2 cm (4 po) peut être conservé sur toute la longueur du conduit de transition.
- Au Canada et aux États-Unis, seuls les conduits métalliques flexibles (type en feuille) qui sont conformes à la norme 2158A « Outline for Clothes Dryer Transition Duct Subject » doivent être utilisés.
- Évitez de faire reposer le conduit sur des objets coupants.
- Pour une meilleure efficacité de séchage :

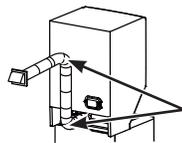
1. Glissez une des extrémités du conduit par-dessus le conduit de sortie de la sècheuse.
2. Fixez le conduit à l'aide d'une bride.
3. Sècheuse dans sa position permanente, déployez le conduit à sa pleine longueur. Laissez un recouvrement de 5 cm (2 po) du conduit sur le conduit d'évacuation. Coupez et retirez la longueur de conduit en surplus. Gardez le conduit aussi droit que possible pour obtenir une circulation d'air maximale.
4. Fixez le conduit sur le conduit d'évacuation à l'aide de l'autre bride.

Instructions d'installation

ÉVACUATION DE LA SÈCHEUSE (suite)

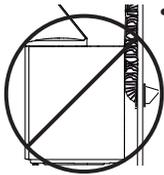


• **COUPEZ** le conduit aussi court que possible et installez-le droit vers le mur.

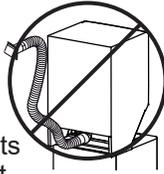


• **UTILISEZ** des coudes lorsque des changements de direction sont nécessaires.

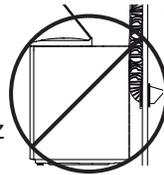
Coudes



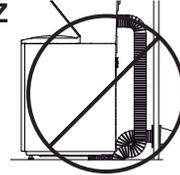
• **N'ÉCRASEZ PAS** ou ne pliez pas le conduit. Utilisez des coudes lorsque des changements de direction sont nécessaires.



• **N'UTILISEZ PAS** une longueur excessive de conduit. Coupez le conduit aussi court que possible.



• **N'ÉCRASEZ PAS** le conduit contre le mur.



• **N'INSTALLEZ PAS** la sècheuse sur le conduit.

LONGUEUR DU TUYAU D'ÉCHAPPEMENT

Utilisez des tuyaux d'échappement plus long que ce qui est spécifié aura comme conséquence :

- Augmentera les temps de séchage et les coûts d'énergie.
- Réduira la durée de vie de la sècheuse.
- Accumulation de la charpie, créant un danger potentiel de feu.

L'installation correcte du tuyau est VOTRE RESPONSABILITÉ.

Les problèmes causés par une mauvaise installation ne sont pas couverts par la garantie.

LONGUEUR DU TUYAU D'ÉCHAPPEMENT MODÈLES 27" DE VENTILATION NORMALE	LONGUEUR MAXIMUM RECOMMANDÉ	
	Types de couverts de tuyau d'échappement	
	Recommandé	Utilisation pour des installations de courte durée seulement
Nombre de coudes à 90°	Métal rigide	Métal rigide
0	56 pieds	42 pieds
1	48 pieds	34 pieds
2	40 pieds	26 pieds
3	32 pieds	18 pieds

LONGUEUR DU TUYAU D'ÉCHAPPEMENT MODÈLES 27" DE VENTILATION À LONG TERME	LONGUEUR MAXIMUM RECOMMANDÉ	
	Types de couverts de tuyau d'échappement	
	Recommandé	Utilisation pour des installations de courte durée seulement
Nombre de coudes à 90°	Métal rigide	Métal rigide
0	200 pieds	175 pieds
1	185 pieds	165 pieds
2	175 pieds	155 pieds
3	165 pieds	145 pieds
4	155 pieds	135 pieds
5	145 pieds	125 pieds

La longueur du système d'échappement MAXIMUM PERMISE dépend du type de conduits, du nombre de tours, du type de couvert de tuyau d'échappement (couvert mural) et de toutes les conditions mentionnées sur la carte.

- Les coudes intérieurs ajoutés pour les conversions d'évent latérales ou inférieures doivent être inclus dans le calcul total de coude.
- Tout coude dont l'angle est supérieur à 45° doit être considéré comme un coude de 90°; un coude de 45° ou moins peut être ignoré.
- Deux coudes de 45° devront être considérés comme un coude de 90°. Pour la ventilation latérale, ajouter un coude de 90° au tableau.
- Pour chaque coude additionnel de 90°, réduire de 10 pieds la longueur totale permise du système de ventilation.
- Lors du calcul de la longueur totale du système de ventilation, vous devez ajouter toutes les portions droites et coudes du système (y compris le conduit de transition).

LONGUEUR DU TUYAU D'ÉCHAPPEMENT MODÈLES 24" DE VENTILATION NORMALE	LONGUEUR MAXIMUM RECOMMANDÉ	
	Types de couverts de tuyau d'échappement	
	Recommandé	Utilisation pour des installations de courte durée seulement
Nombre de coudes à 90°	Métal rigide	Métal rigide
0	43 pieds	36 pieds
1	33 pieds	26 pieds
2	24 pieds	16 pieds

Instructions d'installation

ÉVACUATION DE LA SÉCHEUSE (suite)

LISTE DE CONTROLE DU SYSTEME D'ÉCHAPPEMENT

CAPUCHON OU GRILLE DU MUR

- Terminez le conduit de façon à éviter les retours d'air ou l'entrée d'oiseaux ou d'autres animaux.
- La terminaison doit présenter une résistance minimale au flux d'air évacué et nécessiter peu ou pas de maintenance pour empêcher les obstructions.
- Les événements muraux doivent être installés à au moins 30,5 cm (12 po) au-dessus du niveau du sol ou toute autre obstruction avec l'ouverture dirigée vers le bas.

SÉPARATIONS DES COUDES

- Pour de meilleures performances, séparez tous les coudes par un conduit droit d'au moins 1,2 m (4 pieds), y compris sur la distance entre le dernier coude et le couvert du tuyau d'échappement.

ÉTANCHÉITÉ DES JOINTS

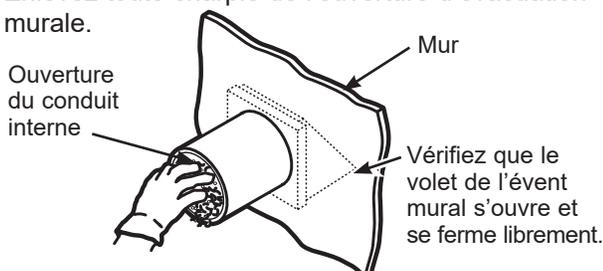
- Tous les joints doivent être serrés pour éviter les fuites. L'extrémité mâle de chaque section du conduit doit être dirigée vers l'extérieur par rapport à la sécheuse.
- Les joints de conduit peuvent être faits d'air et de moisissures en emballant le chevauchement de joints avec le rouleau adhésif de tuyau.
- N'assemblez pas les conduits avec des fixations qui pénètrent dans le conduit. Elles serviraient de point de collecte pour la charpie et créer un risque d'incendie potentiel.
- Les conduits horizontaux doivent être inclinés vers l'extérieur de 6 mm (1/4 po) par pied de longueur.
- Prévoyez libre un accès pour l'inspection et le nettoyage du système d'évacuation, notamment pour les coudes. Inspectez et nettoyez le système au moins une fois par an.

ISOLATION

- Les conduits qui traversent une zone non chauffée ou situés à proximité d'un climatiseur doivent être isolés pour réduire la condensation et la création de charpie.

AVANT DE COMMENCER

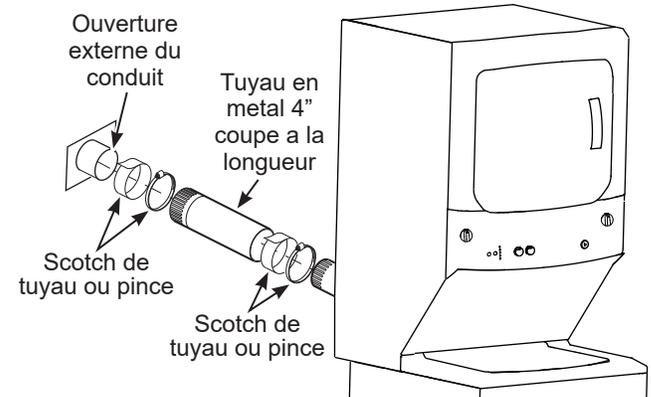
- Enlevez et débarrassez-vous des feuilles de métalet de plastique du tuyau de transition et remplacez-le avec un tuyau de transition UL.
- Enlevez toute charpie de l'ouverture d'évacuation murale.



ÉVACUATION ARRIÈRE STANDARD

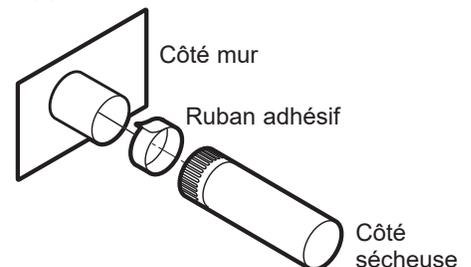
L'échappement arrière fait partie de cette sécheuse. Si votre espace est limité, utilisez les instructions de avoir un système d'échappement latéral ou par le bas du coffrage de la machine.

Insérez l'extrémité du conduit d'évacuation sur le raccord arrière de la sécheuse et fixez-la avec du ruban de toile ou un collier de fixation.



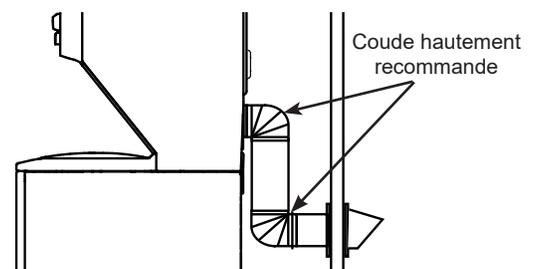
REMARQUE: Nous vous recommandons fortement d'utiliser un conduit d'évacuation rigide et en métal. Si les conduits flexibles de métal sont installés, ils doivent être homologué UL, pas de plastique.

- Pour une installation en ligne droite, branchez le système d'échappement de la sécheuse au conduit externe d'échappement en utilisant du scotch ou une pince.



CONFIGURATION RECOMMANDÉE POUR MINIMISER UN BLOCAGE DU CONDUIT

L'utilisation de coudes empêchera les conduits de se déformer et de s'écraser.



Instructions d'installation

MODÈLES 24" SEULEMENT - VENTILÉES PAR LE BAS OU PAR LES CÔTÉS

⚠ AVERTISSEMENT - Risque d'incendie

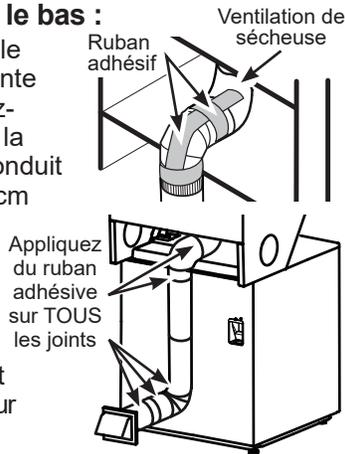
Débranchez la sécheuse de l'alimentation électrique.

Portez des gants et des protège-bras.

L'omission de prendre ces précautions peut causer des incendie, chocs électriques ou des lacerations.

Pour une aération vers le bas :

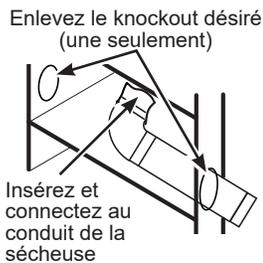
- Insérez le coude, faites-le pivoter de sorte qu'il pointe vers le bas et connectez-le au conduit interne de la sécheuse. Utilisez un conduit métallique rigide de 10 cm uniquement à l'intérieur de la sécheuse.
- Appliquez du ruban adhésif comme indiqué sur le joint entre le tuyau interne de la sécheuse et le coude, et également sur le joint entre le coude et le tuyau du dessous.



Les jonctions de canalisation interne doivent être bloquées avec un ruban adhésif, sinon elles peuvent se séparer et poser un danger pour la sécurité.

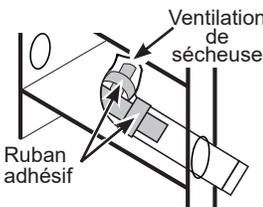
Pour une aération de coté :

- Enlevez la débouchure droite ou gauche (une seulement), comme voulu.
- Faites pivoter les sections du coude afin qu'il penche vers le côté que vous desirez aérer.
- Préparez l'assemblage du coude de 4" avec le tuyau de 4". Utilisez un conduit métallique rigide de 10 cm uniquement à l'intérieur de la sécheuse.
- Insérez l'ensemble de conduit à travers l'ouverture latérale et connectez-le au coude interne de la sécheuse.

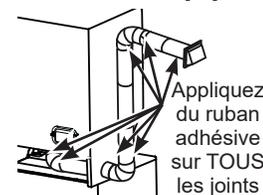


Prenez soin de ne pas tirer ou endommager les fils électriques placés à l'intérieur de la sécheuse lors de l'insertion du conduit.

- Appliquez du ruban adhésif comme indiqué sur le joint entre le tuyau interne de la sécheuse et le coude, et également sur le joint entre le coude et le tuyau latéral.



Les jonctions de canalisation interne doivent être bloquées avec un ruban adhésif, sinon elles peuvent se séparer et poser un danger pour la sécurité.



MODÈLES 27" SEULEMENT - VENTILÉES PAR LE BAS OU PAR LES CÔTÉS

⚠ AVERTISSEMENT - Risque d'incendie

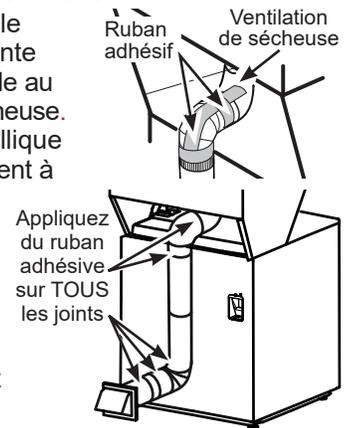
Débranchez la sécheuse de l'alimentation électrique.

Portez des gants et des protège-bras.

L'omission de prendre ces précautions peut causer des incendie, chocs électriques ou des lacerations.

Pour une aération vers le bas :

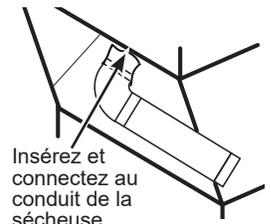
- Insérez le coude, faites-le pivoter de sorte qu'il pointe vers le bas et connectez-le au conduit interne de la sécheuse. Utilisez un conduit métallique rigide de 10 cm uniquement à l'intérieur de la sécheuse.
- Appliquez du ruban adhésif comme indiqué sur le joint entre le tuyau interne de la sécheuse et le coude, et également sur le joint entre le coude et le tuyau du dessous.



Les jonctions de canalisation interne doivent être bloquées avec un ruban adhésif, sinon elles peuvent se séparer et poser un danger pour la sécurité.

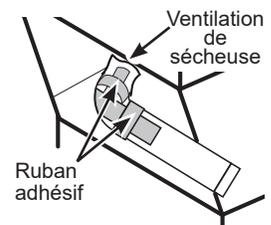
Pour une aération de coté :

- Faites pivoter les sections du coude afin qu'il penche vers le côté que vous desirez aérer.
- Préparez l'assemblage du coude de 4" avec le tuyau de 4". Utilisez un conduit métallique rigide de 10 cm uniquement à l'intérieur de la sécheuse.
- Raccordez l'ensemble du conduit au coude interne de la sécheuse.



Prenez soin de ne pas tirer ou endommager les fils électriques placés à l'intérieur de la sécheuse lors de l'insertion du conduit.

- Appliquez du ruban adhésif comme indiqué sur le joint entre le tuyau interne de la sécheuse et le coude, et également sur le joint entre le coude et le tuyau latéral.



Les jonctions de canalisation interne doivent être bloquées avec un ruban adhésif, sinon elles peuvent se séparer et poser un danger pour la sécurité.



Instructions d'installation

CONNEXION DE LA LAVEUSE

INFORMATION SUR LA PLOMBERIE

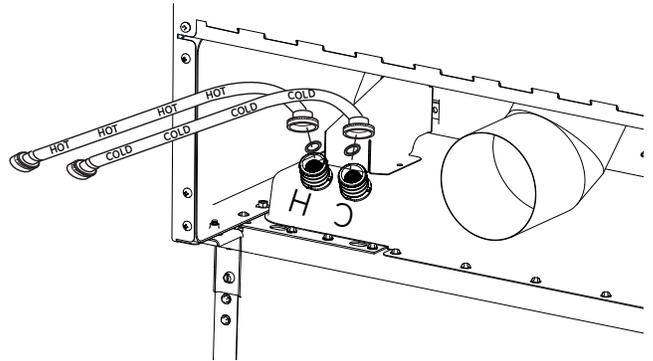
CONDITIONS DE L'APPROVISIONEMENT EN EAU

- **ROBINETS D'EAU CHAUDE ET FROIDE** – Ils doivent être à moins de 42" des branchements de l'appareil pour l'arrivée d'eau. Les robinets doivent être ¾" de la tuyauterie du jardin afin que les tuyaux internes puissent être branchés.
- **PRESSION DE L'EAU** – Elle doit être entre 20 et 120psi avec un maximum de pression déséquilibrée, un flux d'eau chaude et un flux d'eau froide, de 10 psi.
- **TEMPERATURE DE L'EAU** – Le chauffe-eau devrait être configuré pour distribuer une eau de 120°F (50°C) à 150°F (66°C) à la laveuse lorsque l'option de lavage CHAUD est sélectionnée.
- **VALVES DE FERMETURE** – Les valves de fermeture d'eau chaude et d'eau froide devraient être fournies.
- **EMPLACEMENT** – N'installez pas l'appareil dans une zone où la température sera en-dessous de zéro. Si l'appareil est gardé ou transporté avec des températures en-dessous de zéro, assurez-vous que toute l'eau depuis le remplissage jusqu'au système de drainage a été enlevée.

CONDITIONS DE DRAINAGE

- **RAPPORT DE DRAINAGE** – Le drainage et le tuyau de rejet à l'égout doivent être capable d'accepter un écoulement d'un rapport de 16 gallons par minute.
- **TAILLE DU DRAINAGE** – La taille du drainage doit être de 30" minimum et de 96" maximum.
- **DIAMETRE DU TUYAU DE REJET A L'EGOUT** – Le diamètre du tuyau de rejet à l'égout doit être de 1-1/4" minimum. Il DOIT y avoir un espace d'air autour du conduit de drainage dans le tuyau de rejet à l'égout. Une coupure peut causer un effet de siphon.
- **BRISE-SIPHON** – Pour une installation de drainage inférieure à 30" de hauteur, le tuyau, la connexion et les pinces fournies dans l'appareil doivent être utilisés et, de plus, un brise-siphon DOIT être installé au dos de la machine. Obtenir et utiliser un kit brise-siphon et suivez les instructions du kit.

BRANCHER LA PLOMBERIE



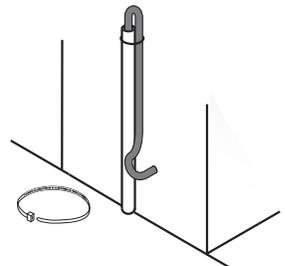
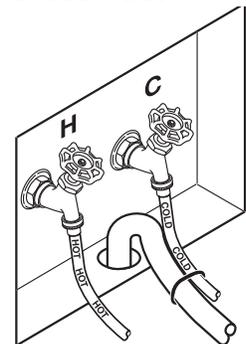
Installez si nécessaire les joints en caoutchouc à l'extrémité de l'arrivée d'eau chaude sur la machine. Introduisez le tuyau d'eau sur le branchement marqué de la lettre **H** dans le coin en haut de la machine. Serrez à la main, et ajoutez 1/8 de tour avec une pince.

Installez si nécessaire les joints en caoutchouc à l'extrémité de l'arrivée d'eau froide sur la machine. Introduisez le tuyau d'eau sur le branchement marqué de la lettre **C** dans le coin en haut de la machine. Serrez à la main, et ajoutez 1/8 de tour avec une pince.

Déplacez l'appareil au plus proche de sa position finale si possible, laissant de la place pour que vous puissiez faire les branchements d'eau, de drainage, électrique et de ventilation dans votre maison.

NOTE: Si un conduit de drainage plus grand est requis, commandez le kit d'extension de conduit de drainage, numéro de produit WH49X301.

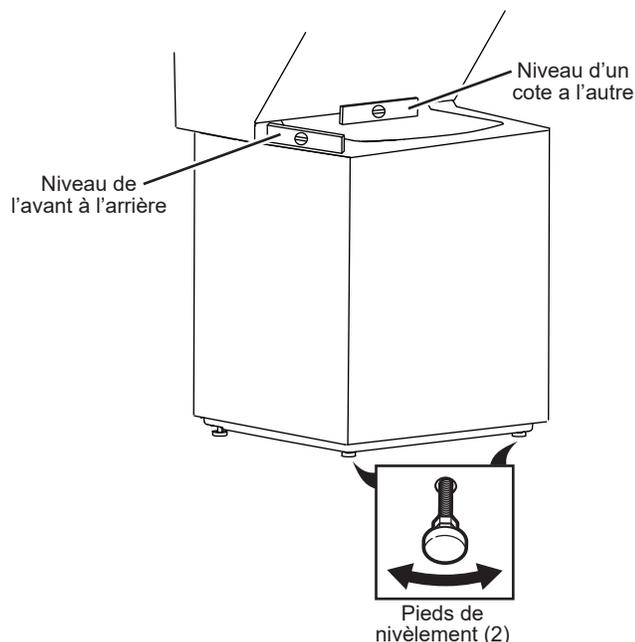
Branchez un conduit additionnel de drainage (inclut dans le kit) au conduit original avec des pinces de conduit (inclut dans le kit). Incrénez un tuyau de vidange à la canalisation de drainage de votre maison pour fermer le tuyau de drainage (ne pas assurer l'étanchéité des tuyaux pour éviter de créer un effet de siphon). Si les valves d'eau et le drainage construit dans le mur, attachez le tuyau de drainage à l'un des tuyaux d'eau avec le collier en plastique inclus (fixé face à face). Si votre drainage est un tuyau de rejet à l'égout, attachez le tuyau de drainage au tuyau de rejet à l'égout avec un collier en plastique inclus.



Instructions d'installation

INSTALLATION FINALE

METTRE A NIVEAU ET STABILISER VOTRE APPAREIL



1. Déplacez prudemment l'appareil vers sa position finale. Balancez avec douceur l'appareil en position. Il est important de ne pas endommager les pieds de nivellement en caoutchouc lorsque vous déplacez votre appareil vers sa position finale. Les pieds endommagés peuvent augmenter les vibrations de l'appareil. Il peut être utile de pulvériser un nettoyeur de vitre sur le sol pour aider à déplacer votre appareil vers sa position finale.

NOTE : N'utilisez pas la protection de la laveuse pour porter l'unité.

2. Pour assurer que l'appareil est à niveau et stable sur ses quatre pieds, inclinez l'appareil vers l'avant pour que les pieds arrière soient hors du sol. Redescendez en douceur l'appareil pour permettre aux pieds arrière de s'ajusteront seuls.
3. Ayant l'appareil à sa position finale, placez un niveau au-dessus au fond du couvercle de la laveuse et vérifiez de chaque côté, puis vérifiez l'avant et l'arrière. Vissez les pieds de nivellement avant pour assurer que l'appareil reste stable sur ses quatre pieds (ne balancez pas l'appareil pour vérifier sa stabilité), relevez les écrous de verrou sur chaque pied vers la base de l'unité et assurez avec un tourne-à-gauche.

NOTE : Gardez l'extension de pied au minimum pour éviter les vibrations excessives. Plus les pieds sont agrandis, plus l'unité a de chance de vibrer.

DÉMARRAGE DE L'APPAREIL

La laveuse et la sécheuse sont maintenant prêtes à être utilisées. Voir le **Manuel du Propriétaire** pour une utilisation et des soins appropriés.

ENREGISTREZ VOTRE NOUVEL APPAREIL POUR QUE VOUS RECEVIEZ DES INFORMATIONS IMPORTANTES SUR LE PRODUIT

Allez, SVP, sur notre site www.GEAppliances.ca ou envoyez par la poste votre Carte d'inscription du produit.

Notes

Notes
